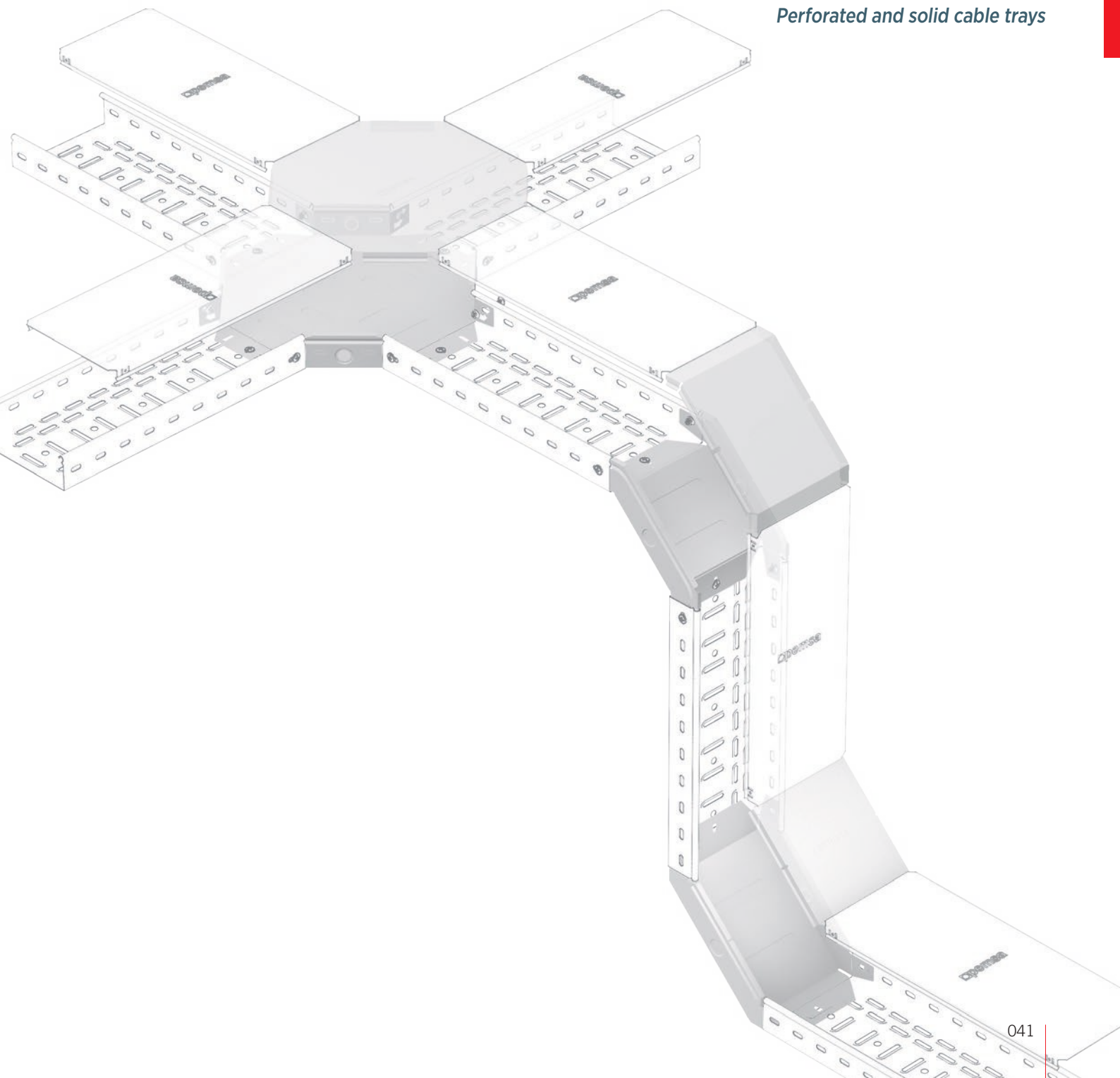


pemsaband® **inducanal®**

Passerelle in metallo forate e chiuse

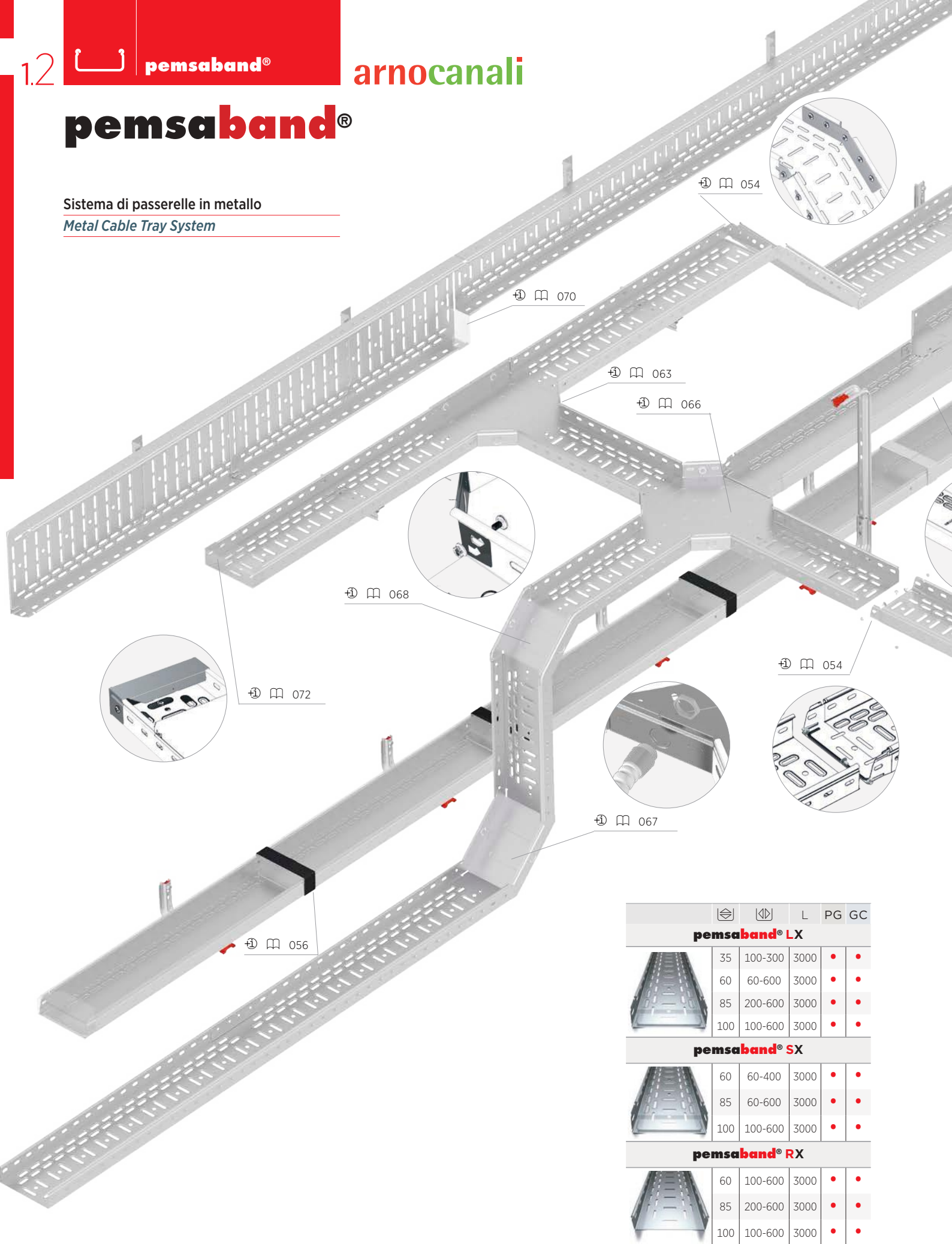
Perforated and solid cable trays



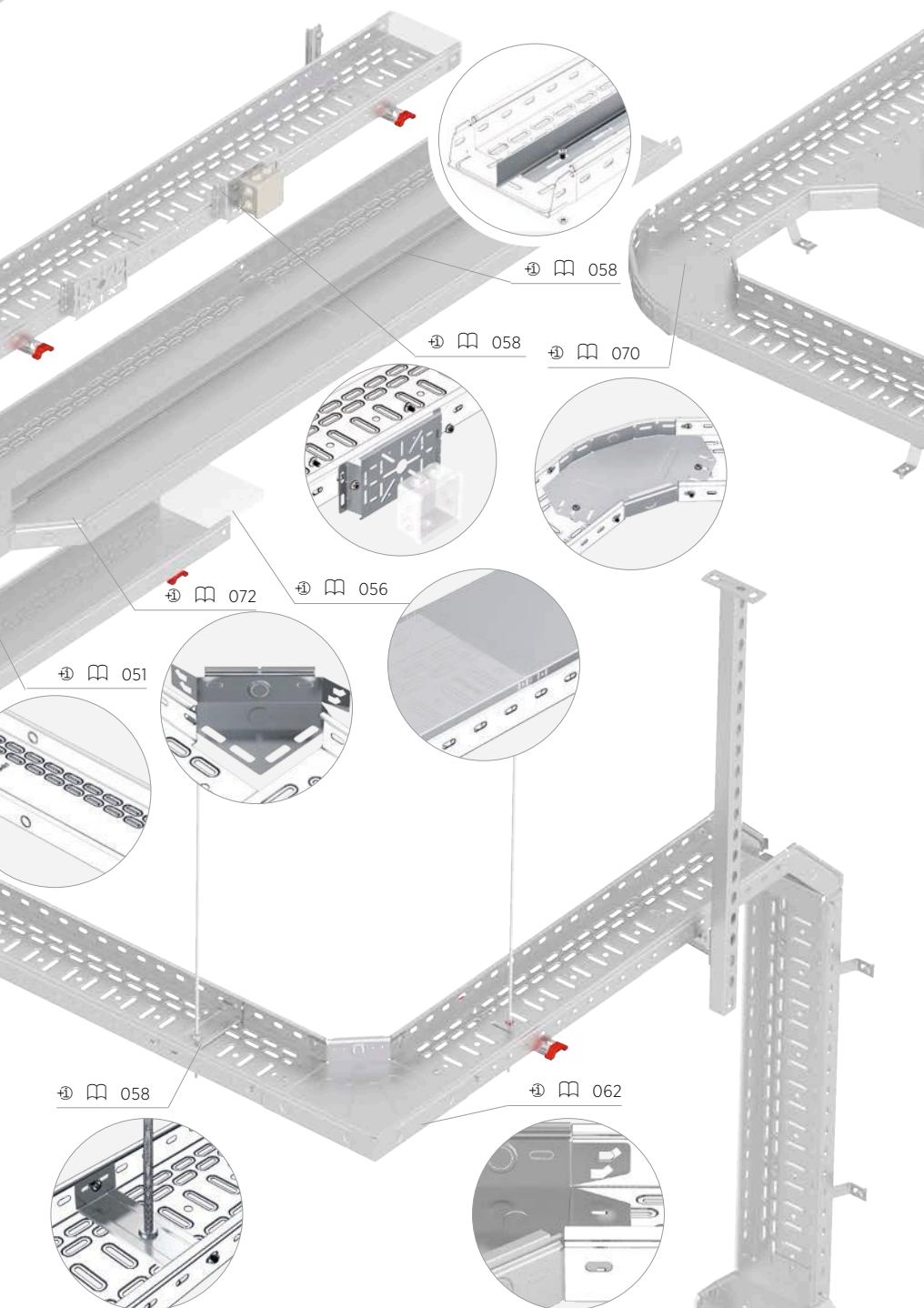


pemsaband®

Sistema di passerelle in metallo
Metal Cable Tray System



			L	PG	GC
pemsaband® LX					
	35	100-300	3000	•	•
	60	60-600	3000	•	•
	85	200-600	3000	•	•
	100	100-600	3000	•	•
pemsaband® SX					
	60	60-400	3000	•	•
	85	60-600	3000	•	•
	100	100-600	3000	•	•
pemsaband® RX					
	60	100-600	3000	•	•
	85	200-600	3000	•	•
	100	100-600	3000	•	•



Norme internazionali:
International Standards:



Norme internazionali delle passerelle
International standard of Cable trays



Certificato UL
UL Certified



Resistenza al fuoco
DIN 4102-12 Fire Resistance



Marchio N AENOR IEC 61537
AENOR N Mark IEC 61537



RoHS 2002/95/CE
WEEE 2012/19/UE

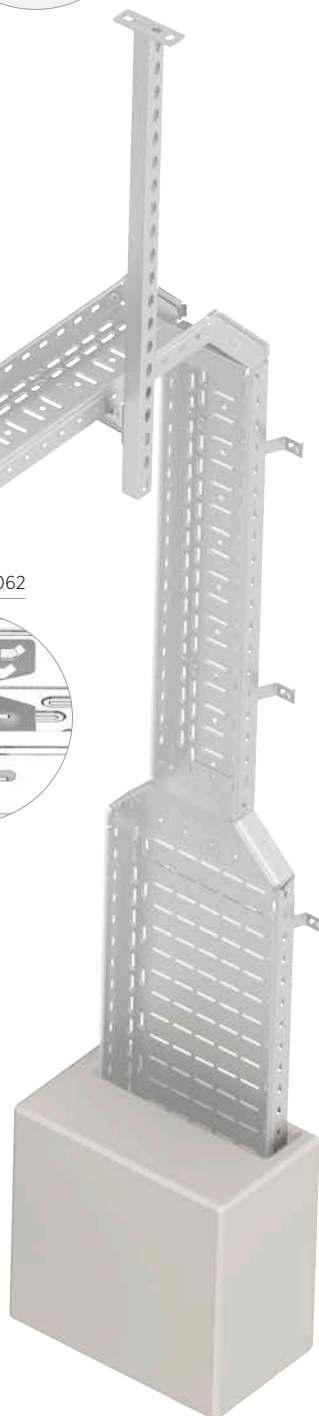


IQNET ISO 9001



Prodotto brevettato
Patented product

	⊗	⊞	L	PG	GC	304	316L
inducanal®							
	35	100-300	3000	•	•		
	60	60-600	3000	•	•		
	85	200-600	3000	•	•		
	100	100-600	3000	•	•		
pemsaband® INOX							
	35	100-400	3000			•	•
	60	60-600	3000			•	•
	85	200-600	3000				
	100	100-600	3000				
inducanal® INOX							
	35	100-600	3000			•	•
	60	200-600	3000			•	•
	85	200-600	3000				
	100	100-600	3000				



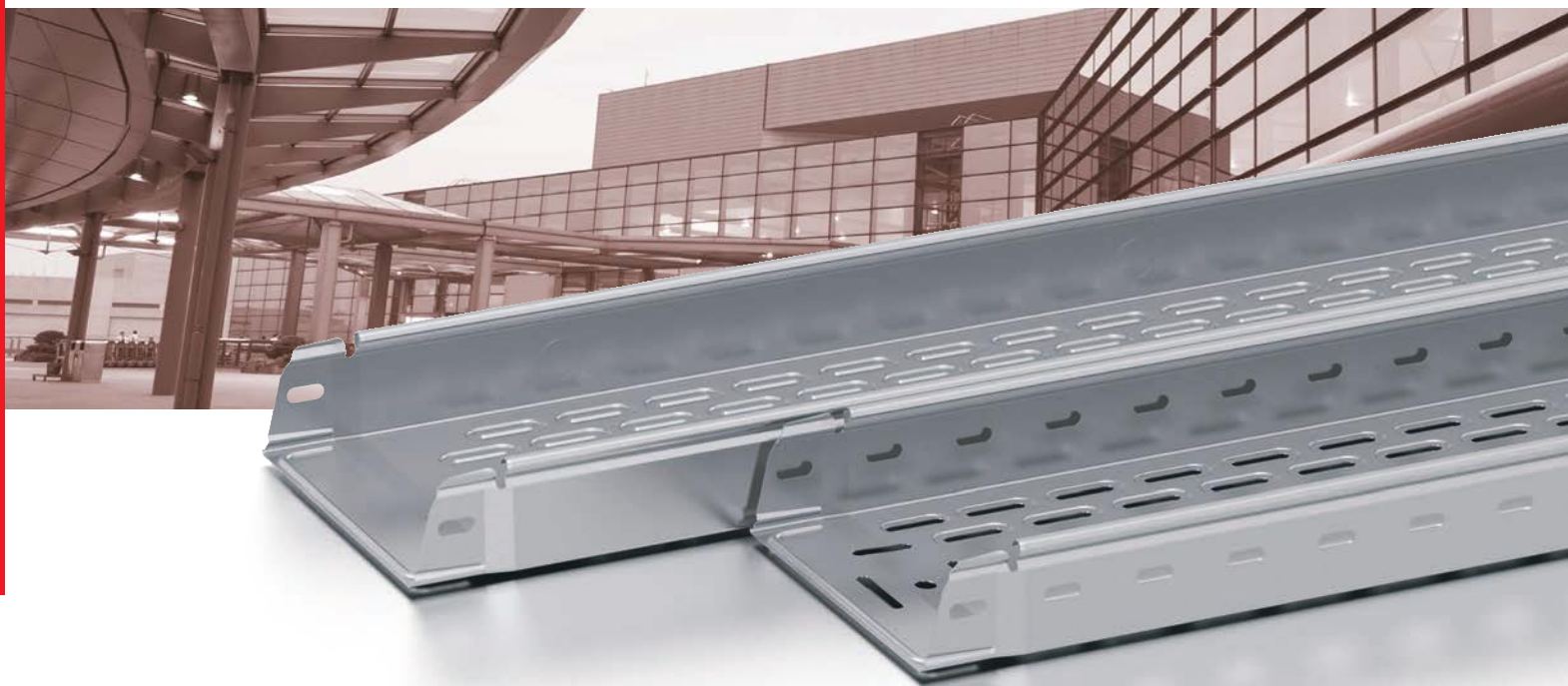
Sistema Click
Click System



Sistema universale
con accessorio
*Universal System
of Accessories*



Coperchio con
sistema Click
*Click System on
Cover*

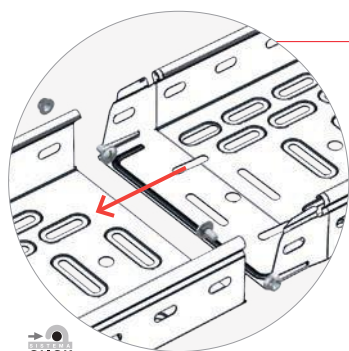


pemsaband® inducanal®

Passerelle portacavi in metallo forate e chiuse

Perforated and solid cable trays

Vantaggi e caratteristiche / *Advantages and features*

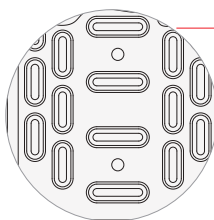


Sistema click per giunzione rapida
Quick Click Joint System

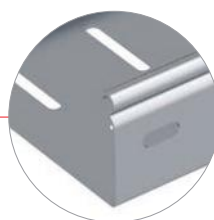
CLICK

PG GC 304 316L

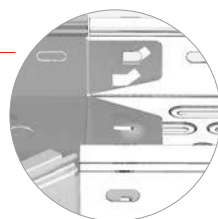
Ampia gamma di finiture
Wide range of finishes and coatings



Base forata e imbutita aumentano le capacità di carico
Perforated and embossed base increases the load capacity

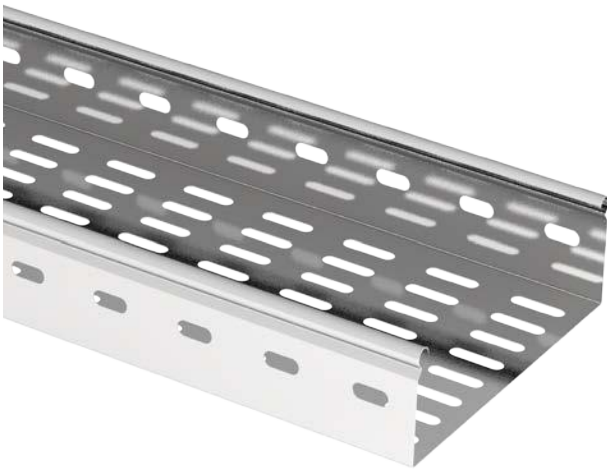


Bordo di sicurezza
Protegge e rafforza la passerella
Safety edge. Protects and strengthens the cable tray



Accessori con sistema universale Click
Compatibile per tutte le passerelle
Universal Click System on Accessories. Compatible with all cable trays

NovitàNews



NEW

304

316L

INOX - Stainless Steel

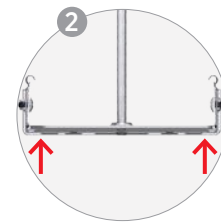
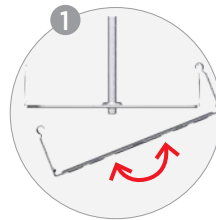
Elevata resistenza
High Resistance

050-051



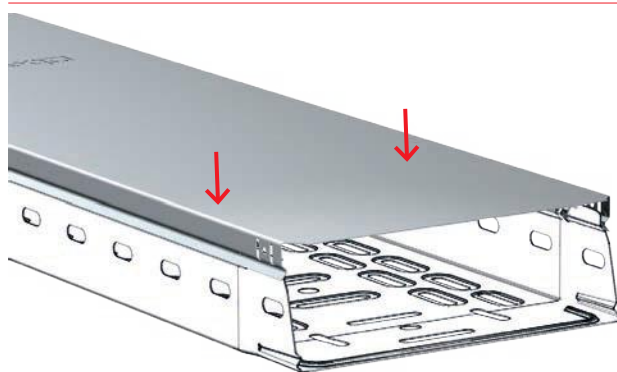
Sospensione interna
Inside Hanging Plate

058



NEW

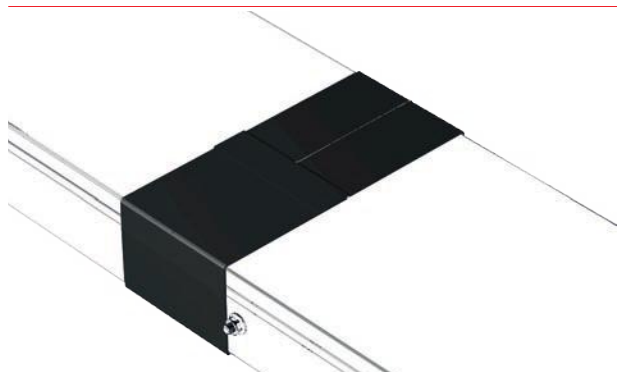
Sistema nascosto
Il supporto rimane all'interno
della passerella
Hidden System.
The support is installed
inside the cable tray



NEW

056

Coperchio con sovrapposizione
Cover with overlap



Giunto in neoprene
Neoprene Gasket

NEW

056

Massima sigillatura
Maximum tightness



pemsaband®

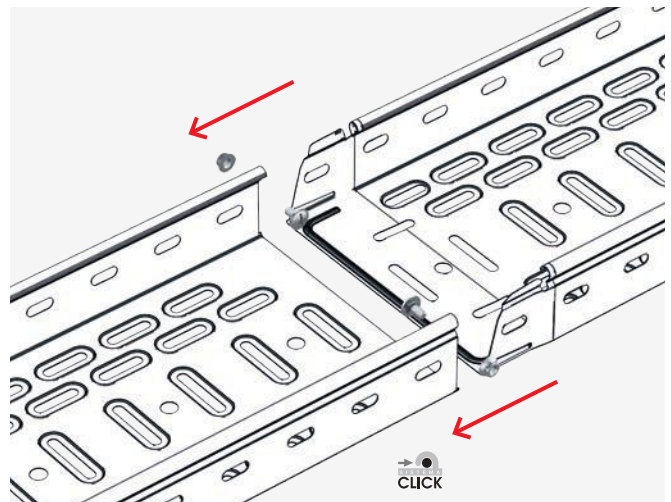
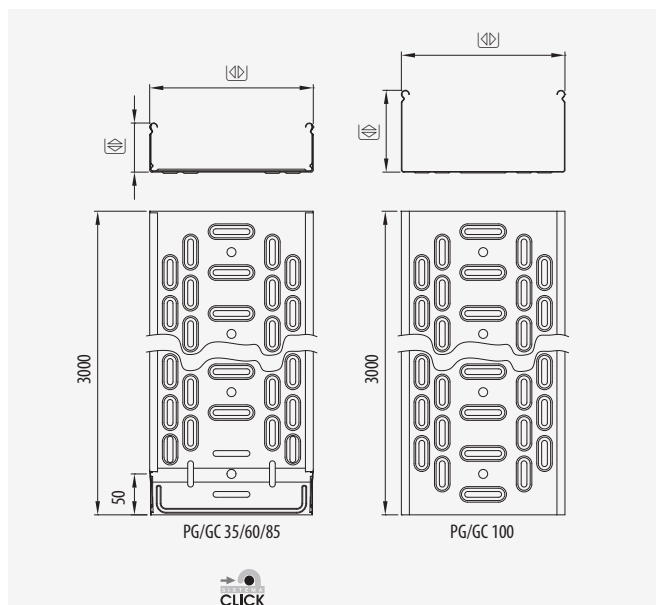
LX

Passarella leggera in metallo forata Click
Perforated Click System Cable Tray

☒ 35, 60, 85 100 • ☒ 100-600 • 📏 3000



☒	☒	PG	GC	kg/m PG	kg/m GC	📦
35	100	75821100	75831100	0,691	0,867	24
	150	75821150	75831150	0,862	1,081	12
	200	75821200	75831200	1,241	1,507	12
	300	75821300	75831300	1,928	2,020	12
	400	75821400		2,416		6
60	60	75822060	75832060	0,730	0,910	24
	100	75822100	75832100	0,885	1,109	24
	150	75822150	75832150	1,267	1,535	12
	200	75822200	75832200	1,473	1,789	12
	300	75822300	75832300	2,199	2,599	6
	400	75822400	75832400	2,691	3,197	6
	500	75822500	75832500	3,666	4,263	6
85	200	75223200	75233200	1,683	2,048	6
	300	75223300	75233300	2,444	2,899	6
	400	75223400	75233400	3,409	3,957	6
	500	75223500	75233500	4,012	4,655	6
	600	75223600	75233600	4,576	5,310	6
100	100	75224100	75234100	1,416	1,739	12
	200	75224200	75234200	2,122	2,517	6
	300	75224300	75234300	2,612	3,098	6
	400	75224400	75234400	3,576	4,104	6
	500	75224500	75234500	4,118	4,790	6
600	75224600	75234600	4,669	5,431	6	
35-60-85		67010093	67030093			
100		71023005 / 93910003	71023005 / 93930003			





pemsaband®

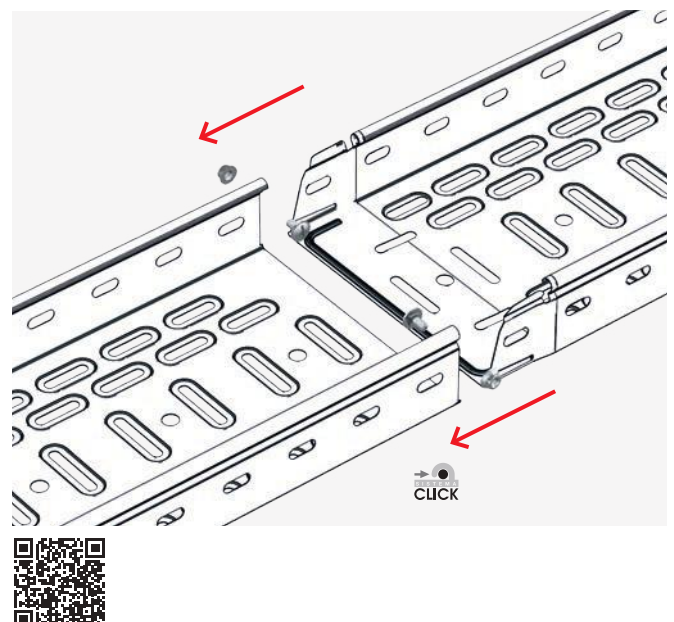
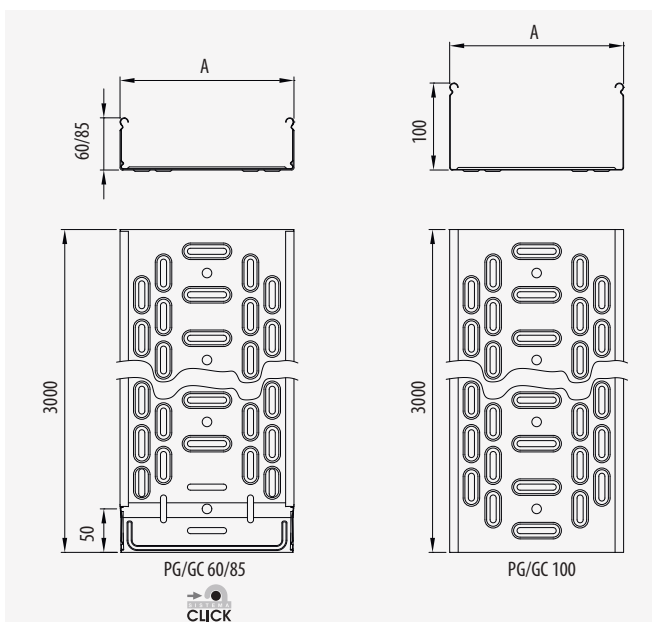
SX

Passarella media in metallo forata Click
Perforated Click System Cable Tray

☒ 60, 85, 100 • ☒ 100-600 • ✍ 3000



☒	☒	PG	GC	kg/m PG	kg/m GC	☒
60	100	75522100	75232100	1,319	1,606	24
	150	75522150	75232150	1,786	1,908	12
	200	75522200	75232200	2,067	2,210	12
	300	75522300	75232300	2,635	2,865	6
	400	75522400	75232400	3,056	4,277	6
	500	75522500	75232500	4,551	5,108	6
	600	75522600	75232600	5,244	5,880	6
85	200	75523200	75533200	2,220	2,580	6
	300	75523300	75533300	2,780	3,235	6
	400	75523400	75533400	4,180	4,720	6
	500	75523500	75533500	4,920	5,560	6
	600	75523600	75533600	5,610	6,340	6
100	100	75524100	75534100	1,652	1,959	12
	200	75524200	75534200	2,429	2,825	6
	300	75524300	75534300	2,989	3,477	6
	400	75524400	75534400	4,400	4,977	6
	500	75524500	75534500	5,137	5,810	6
	600	75524600	75534600	5,827	6,591	6
60-85		67010093	67030093			+ 054
100		71023005 / 93910003	71033005 / 93930003			+ 054





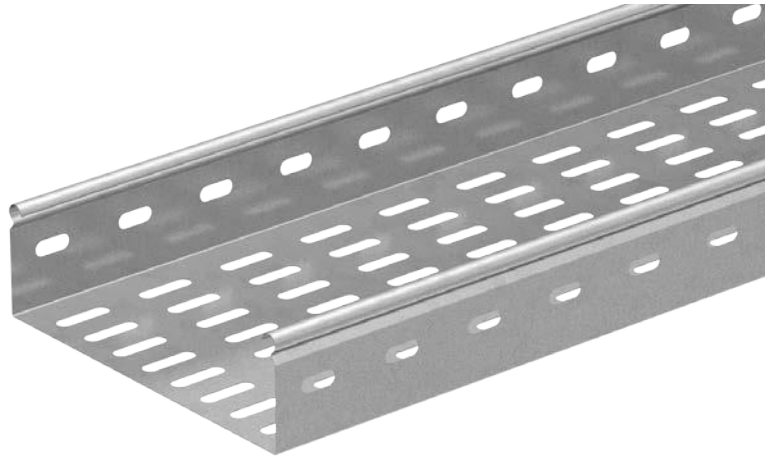
pemsaband®

RX

Passerella in metallo pesante

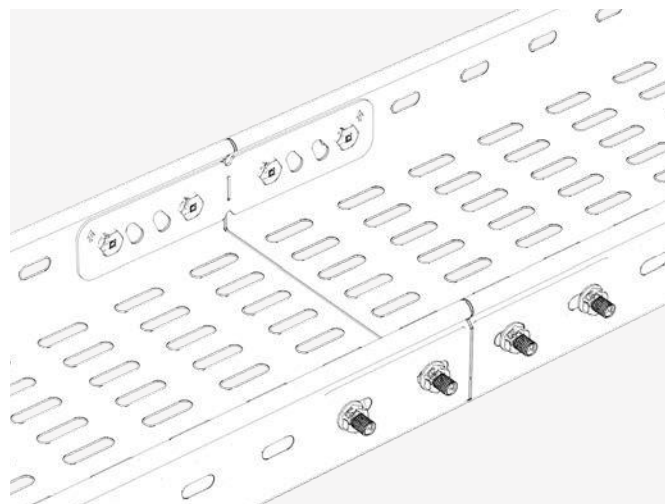
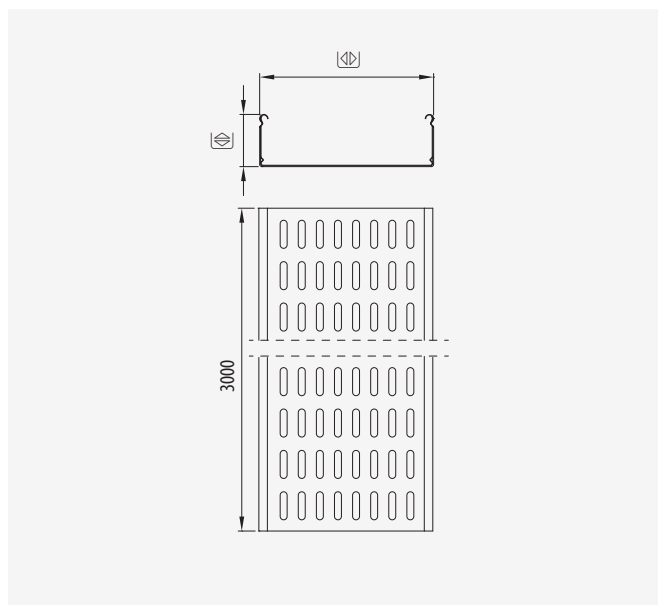
Reinforced Perforated Cable Tray

☒ 60, 85, 100 • ☒ 100-600 • ☒ 3000



☒	☒	PG	GC	kg/m PG	kg/m GC	☒
60	100	76122100	76132100	2,622	2,852	6
	200	76122200	76132200	3,538	3,857	6
	300	76122300	76132300	4,646	5,057	6
	400	76122400	76132400	5,690	6,193	6
	500	76122500	76132500	6,787	7,395	6
	600	76122600	76132600	7,889	8,589	6
85	200	76123200	76133200	4,058	4,423	6
	300	76123300	76133300	5,166	5,623	6
	400	76123400	76133400	6,211	6,759	6
	500	76123500	76133500	7,315	7,970	6
	600	76123600	76133600	8,417	9,164	6
100	100	76124100	76134100	3,490	3,796	6
	200	76124200	76134200	4,485	4,881	6
	300	76124300	76134300	5,519	6,007	6
	400	76124400	76134400	6,564	7,143	6
	500	76124500	76134500	7,644	8,328	6
	600	76124600	76134600	8,831	9,607	6
60	100-600	71022005+67010093	71032005+67030093			054
85-100	100-600	71023005+67010093	71033005+67030093			
60-85-100	300-600	71020XXX+67010093	71030XXX+67030093			054

Tutti prodotti a richiesta. All references under request.



inducanal®

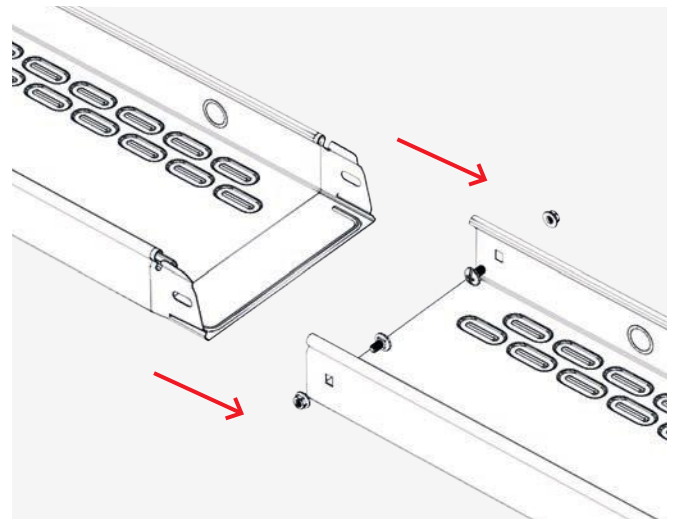
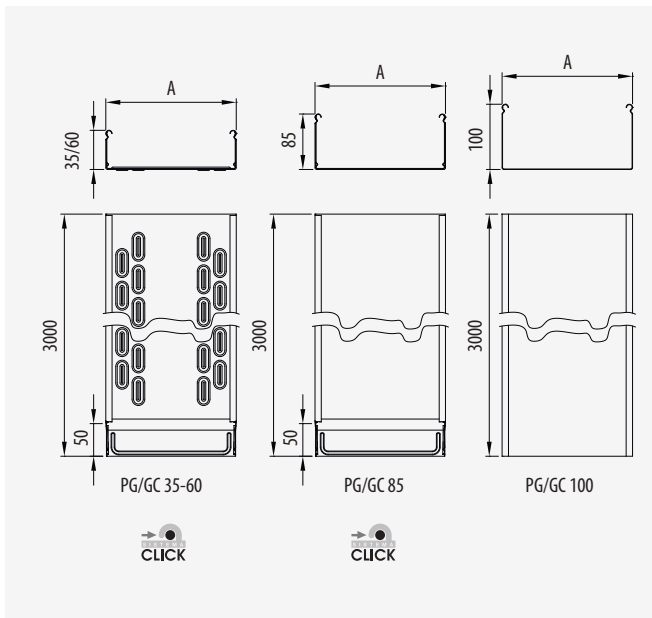


Passerella in metallo chiusa con imbutitura
Metal embossed solid cable tray

☒ 35, 60, 85, 100 • ☒ 60-600 • ✍ 3000



☒	☒	PG	GC	kg/m PG	kg/m GC	☒
35	100	75121100	75131100	0,702	0,885	24
	150	75121150	75131150	0,874	1,101	12
	200	75121200	75131200	1,262	1,536	12
	300	75121300	75131300	1,690	2,058	12
60	60	75122060	75132060	0,789	0,993	24
	100	75122100	75132100	0,901	1,135	24
	150	75122150	75132150	1,287	1,565	12
	200	75122200	75132200	1,500	1,826	12
	300	75122300	75132300	2,233	2,649	6
	400	75122400	75132400	2,741	3,252	6
	500	75122500	75132500	3,727	4,334	6
85	200	75423200	75433200	1,832	2,225	6
	300	75423300	75433300	2,676	3,170	6
	400	75423400	75433400	3,736	4,329	6
	500	75423500	75433500	4,377	5,071	6
	600	75423600	75433600	5,018	5,814	6
100	100	75424100	75434100	1,504	1,828	12
	200	75424200	75434200	2,294	2,716	6
	300	75424300	75434300	2,843	3,366	6
	400	75424400	75434400	3,877	4,502	6
	500	75424500	75434500	4,505	5,231	6
	600	75424600	75434600	5,133	5,960	6
35-60-85		67010093	67030093	☒ + ☒ 054		
100		71023005 / 93910003	71023005 / 93930003	☒ + ☒ 054		



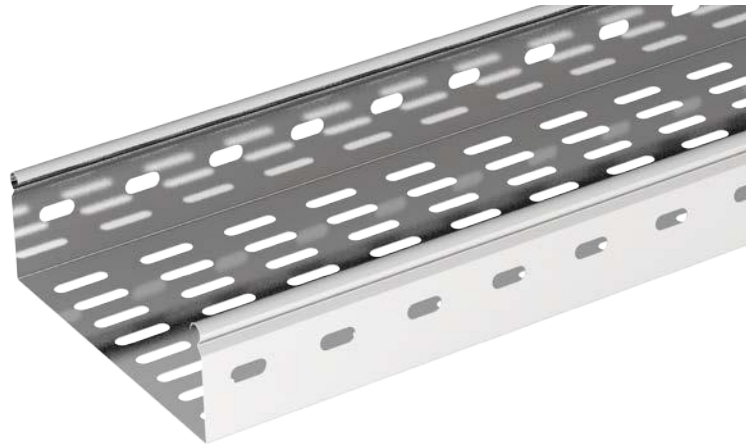


pemsaband®

INOX

Passerella in metallo forata Click

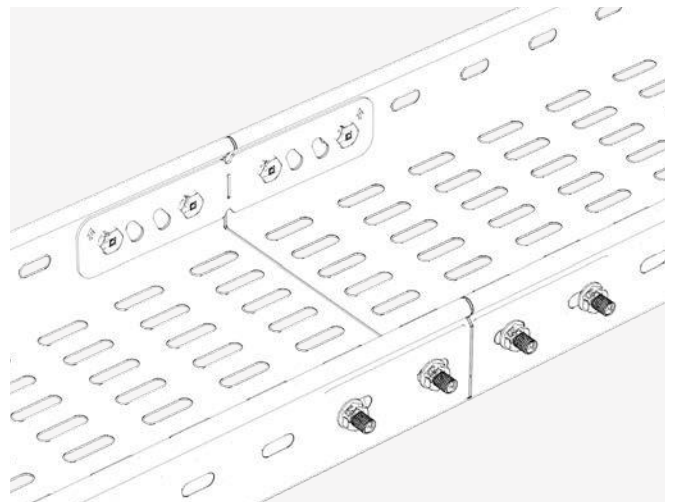
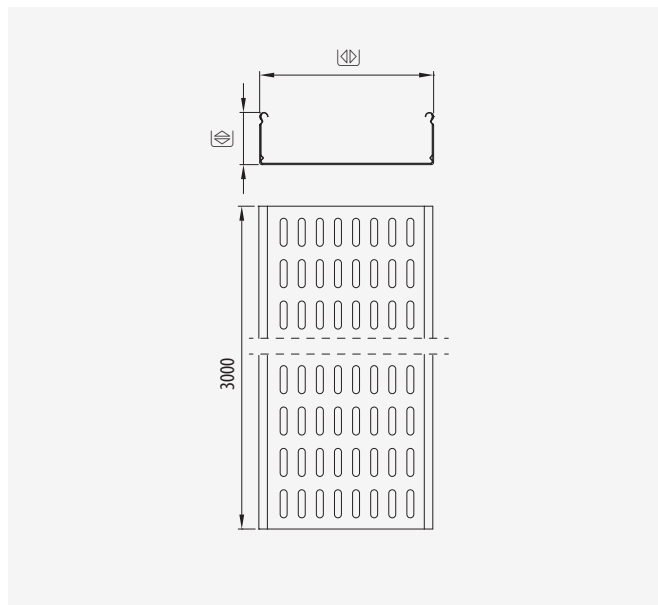
Perforated Click System Cable Tray



☒ 60 • ☒ 100-600 • ☒ 3000



☒	☒	304	316L	kg/m	☒
35	100				24
	150 - 200 - 300				12
	400				6
60	60				24
	100	76452100	76462100	0,906	24
	150	76452150	76462150	1,076	12
	200	76452200	76462200	1,235	12
	300	76452300	76462300	1,911	6
	400	76452400	76462400	2,335	6
	500	76452500	76462500	3,244	6
600	76452600	76462600	3,734	6	
85	200 - 300 - 400 - 500 - 600				6
100	100				12
	200 - 300 - 400 - 500 - 600				6
60		93950002	93960002	054	





inducanal®

INOX

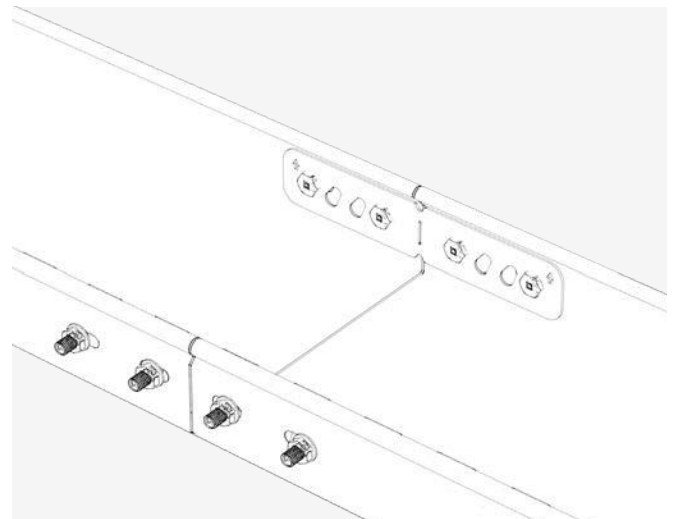
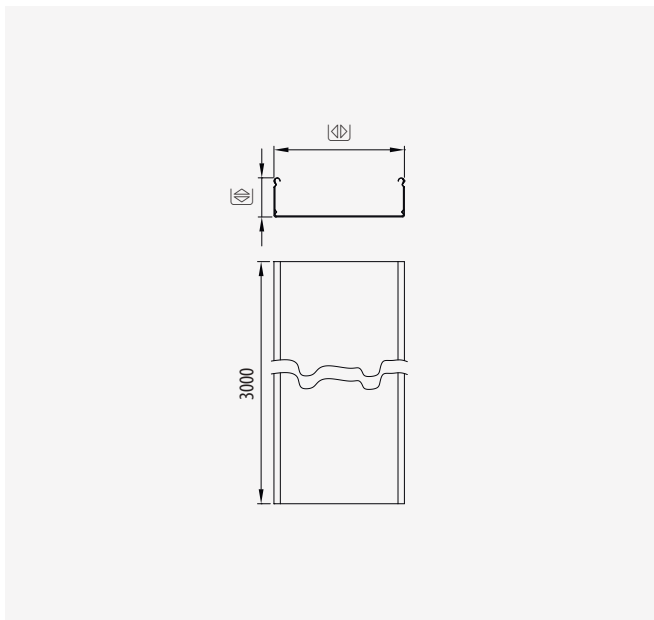
Passerella chiusa

Metal solid cable tray

⊕ 60 • ⊕ 100-600 • ✂ 3000



⊕	⊕	304	316L	kg/m	⊕
35	100				24
	150 - 200 - 300				12
60	60				24
	100	76552100	76562100	0,949	24
	150	76552150	76562150	1,147	12
	200	76552200	76562200	1,345	12
	300	76552300	76562300	2,093	6
	400	76552400	76562400	2,572	6
	500	76552500	76562500	3,550	6
600	76552600	76562600	4,116	6	
85	200 - 300 - 400 - 500 - 600				6
100	100				12
	200 - 300 - 400 - 500 - 600				6
60		93960002	93960002	+ 054	





pemsaband®

LX, SX

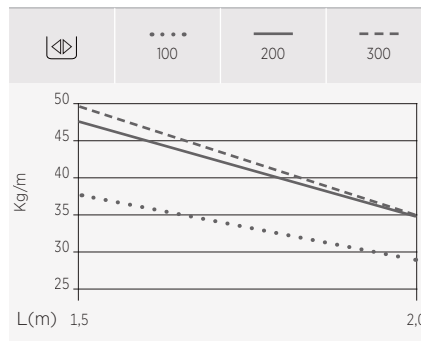
Dati tecnici

Technical data

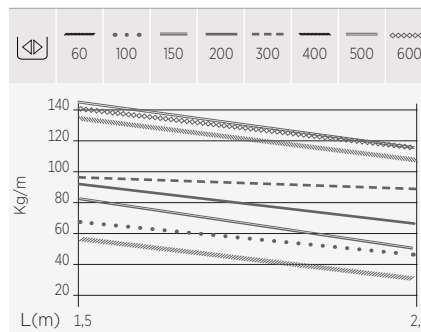


pemsaband® LX

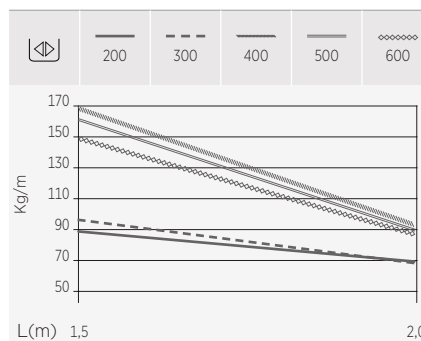
mm	mm	mm ²
35	100	3122
	150	4822
	200	6522
	300	9922
	400	13322



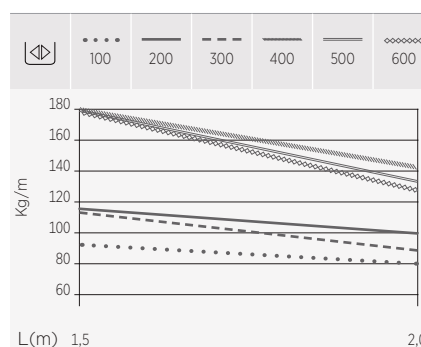
mm	mm	mm ²
60	60	3122
	100	5572
	150	8522
	200	11472
	300	17372
	400	23272
	600	35072



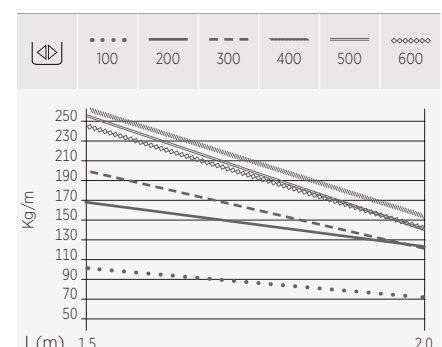
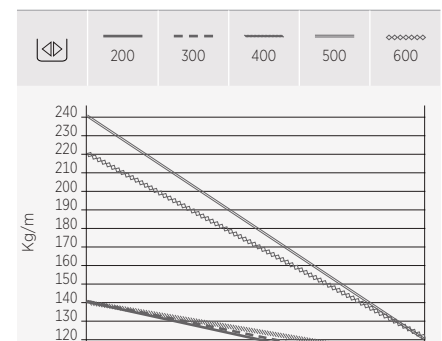
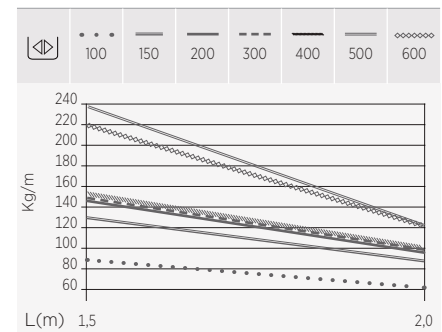
mm	mm	mm ²
85	200	16422
	300	24822
	400	33222
	500	41622
	600	50022



mm	mm	mm ²
100	100	9492
	200	19392
	300	29292
	400	39192
	500	49092
	600	58992



pemsaband® SX

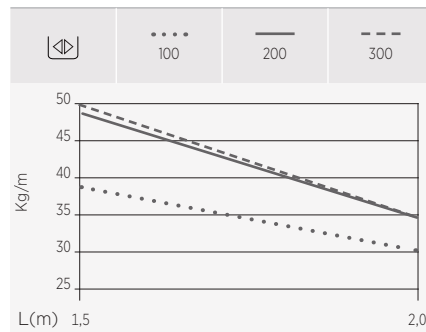




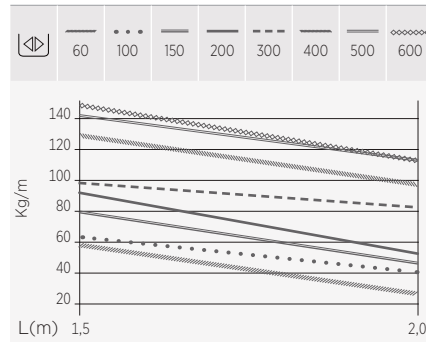
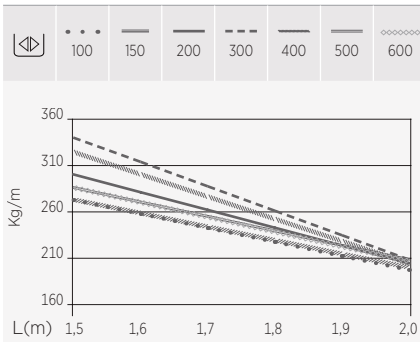
pemsaband® RX



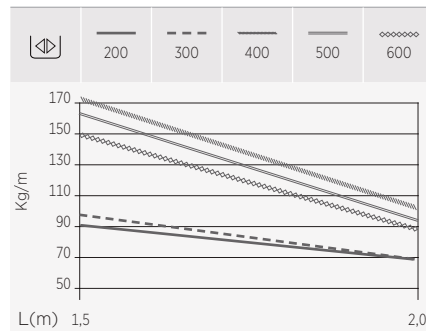
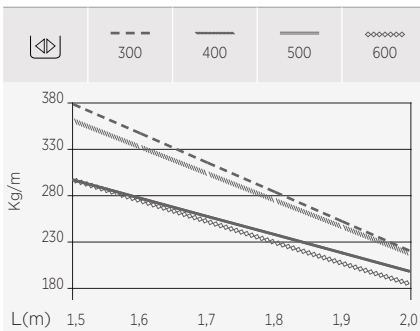
inducanal®



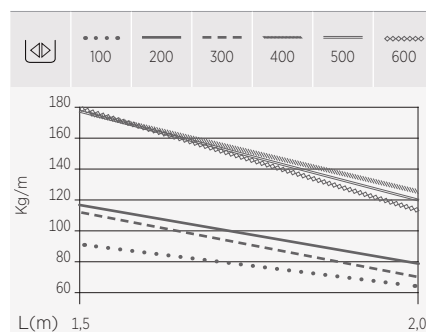
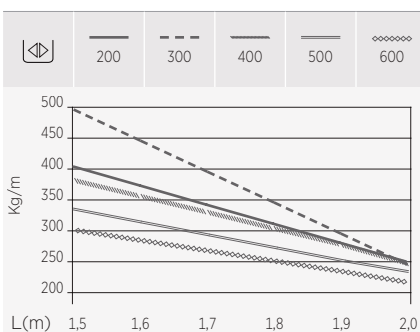
mm	mm	mm ²
35	100	3122
	150	4822
	200	6522
	300	9922
	400	13322



mm	mm	mm ²	e RX mm
60	60	3122	1,5
	100	5572	1,5
	150	8522	1,5
	200	11472	1,5
	300	17372	1,5
	400	23272	1,5
	500	29172	1,5
	600	35072	1,5



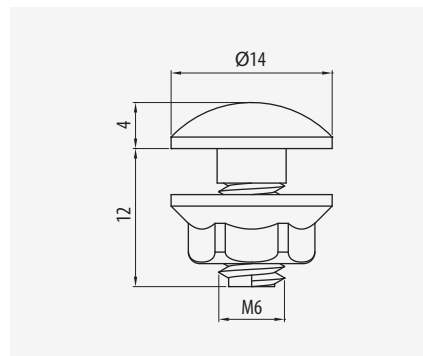
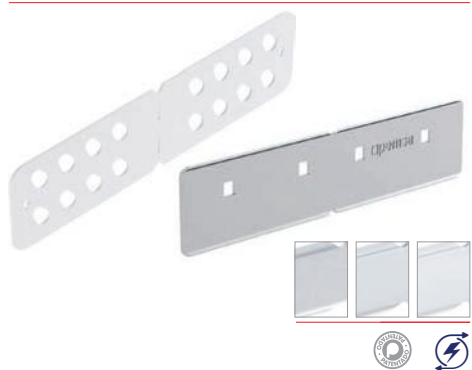
mm	mm	mm ²	e RX mm
85	200	16422	1,5
	300	24822	1,5
	400	33222	1,5
	500	41622	1,5
	600	50022	1,5



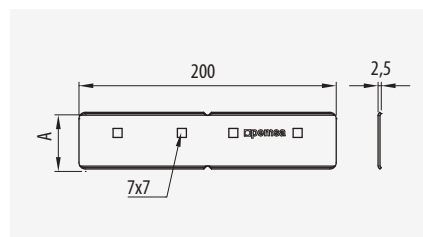
mm	mm	mm ²	e RX mm
100	100	9492	1,5
	200	19392	1,5
	300	29292	1,5
	400	39192	1,5
	500	49092	1,5
	600	58992	1,5


Kit di giunzione pemsaband®
pemsaband® Joint Kit

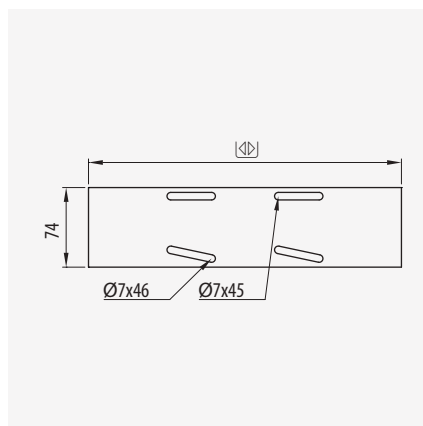
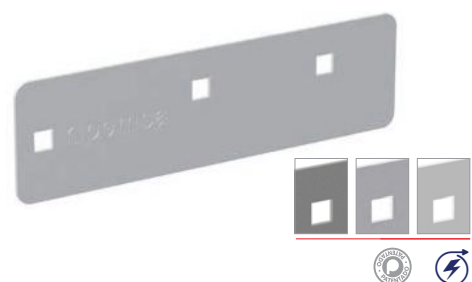

⊕	M	Ref	kg/u	📦
EZ	M6	67010093	0,008	100
GC	M6	67030093	0,009	100


Giunzione universale pemsaband®
pemsaband® Coupler


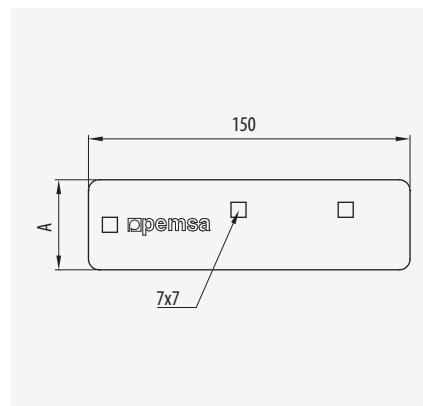
⊕	A	Ref	kg/u	📦
PG	35	71021005	0,040	50
	60	71022005	0,102	50
	85/100	71023005	0,154	25
GC	35	71031005	0,043	50
	60	93930002	0,075	50
	85/150	93930003	0,112	20
304	60	93950002	0,075	50
316L	60	93960002	0,075	50

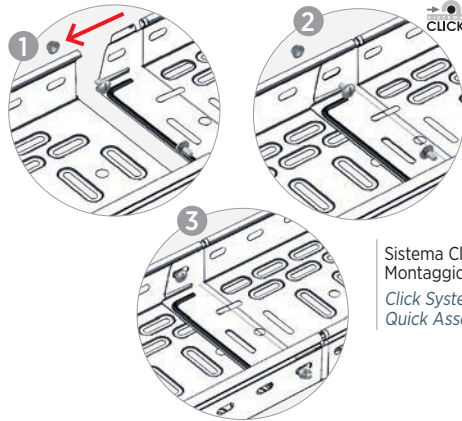
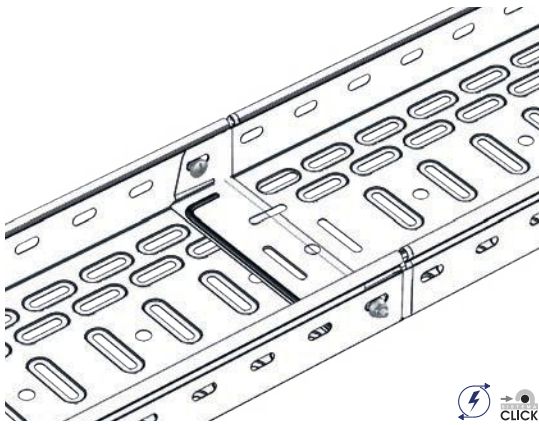

Giunzione base pemsaband®
pemsaband® Central Joiner


⊕	A	Ref	kg/u	📦
PG	300	71020300	0,371	10
	400	71020400	0,493	10
	500	71020500	0,615	10
	600	71020600	0,738	10
GC	300	71030300	0,390	10
	400	71030400	0,516	10
	500	71030500	0,645	10
	600	71030600	0,773	10
304	300	71050300	0,240	10
	400	71050400	0,323	10
	500	71050500	0,398	10
316L	300	71160300	0,240	10
	400	71160400	0,323	10
	500	71160500	0,398	10
	600	71160600	0,480	10


Giunzione snodata pemsaband®
pemsaband® Riser/Dropper


⊕	A	Ref	kg/u	📦
PG	35	71021006	0,028	4
	60	71022006	0,073	4
GC	35	71031006	0,031	4
	60	71032006	0,079	4
304	60	93950012	0,057	8
316L	60	93960012	0,057	8

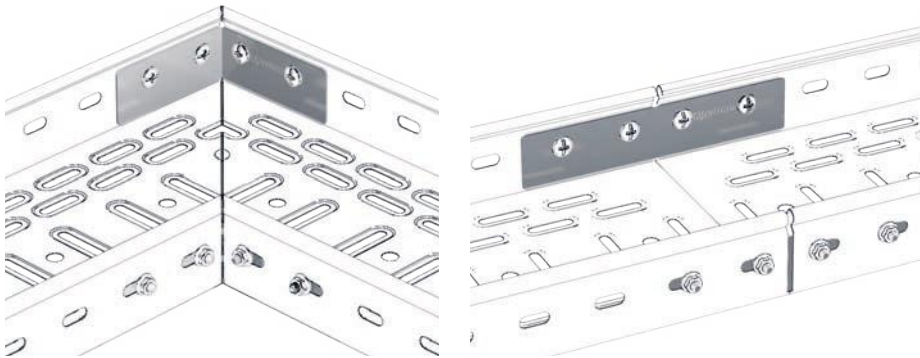




	60-200		2
	300-400		2+1
	500-600		2+2

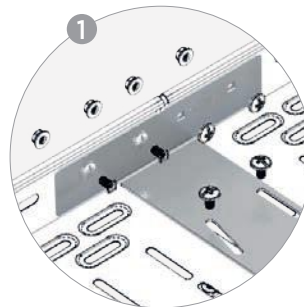
Rapido!!
Quick

Sistema Click di giunzione
Montaggio Rapido
Click System.
Quick Assembly



	x 2	⊕ ⊞ 054
	x 8	

Aumenta
la resistenza!!
Increased resistance

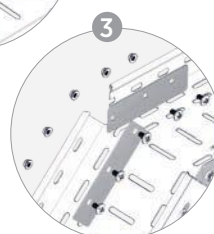
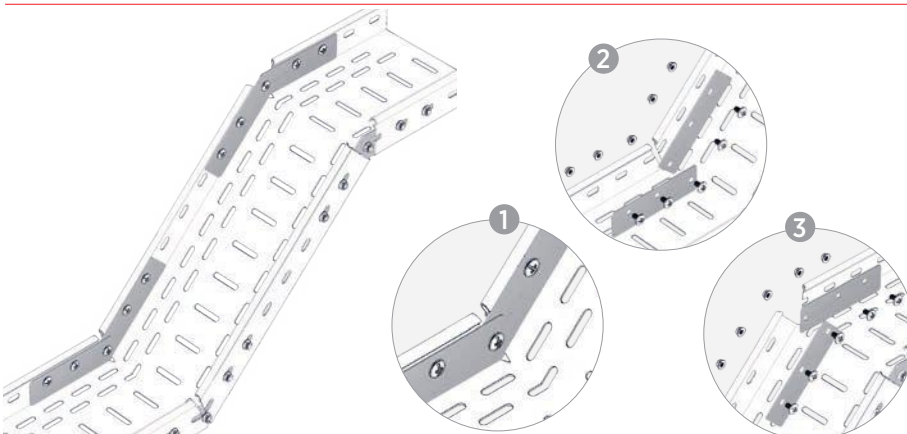


	x 2	⊕ ⊞ 054
	x 1	
	x 12	

Molto resistente!!
Heavy Duty

Corretto per:
Suitable for:

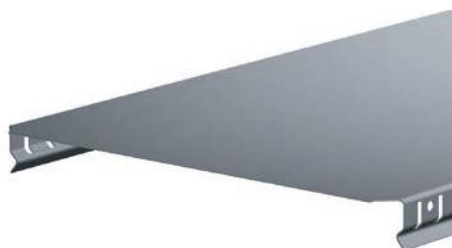
300-600



	x 2	⊕ ⊞ 054
	x 10	

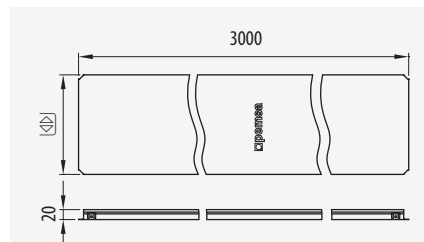
Angolo variabile!!
Adjustable angle

15°-30°-45°-60°-90°


Coperchio
Straight Cover


35-60-85-100 • 60-600

⊕	A	Ref	kg/u	⊞
PG	60	73021060	0,462	24
	100	73021100	0,653	24
	150	73021150	0,892	12
	200	73021200	1,131	12
	300	73021300	1,890	6
	400	73021400	2,452	6
GC	500	73021500	3,437	6
	600	73021600	4,078	6
	60	73031060	0,617	24
	100	73031100	0,872	24
	150	73031150	1,190	12
	200	73031200	1,507	12
	300	73031300	2,424	6
	400	73031400	3,823	6
	450	73031450	3,556	6
	500	73031500	4,700	6
	600	73031600	5,577	6
	304	60	73051060	0,385
100		73051100	0,544	24
150		73051150	0,750	12
200		73051200	0,957	12
300		73051300	1,380	6
400		73051400	2,116	6
500	73051500	2,602	6	
600	73051600	3,577	6	



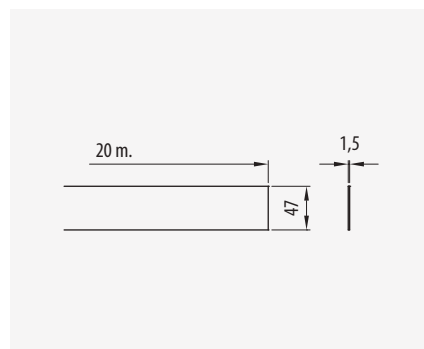
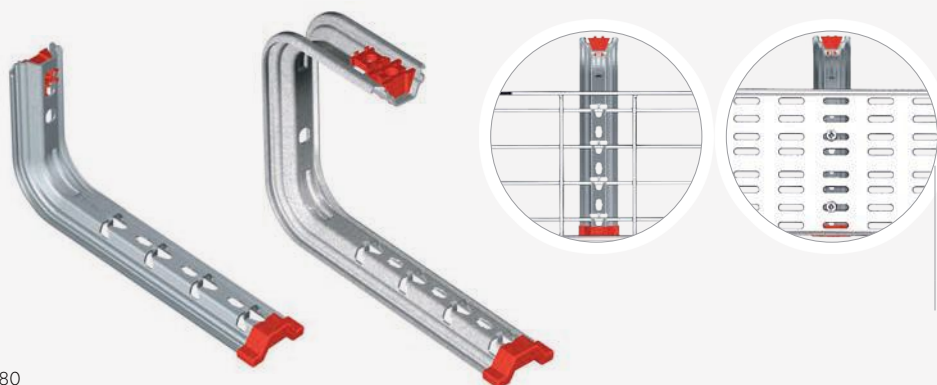
35-60-85-100 • 60-600

⊕	A	Ref	kg/u	⊞
316L	60	73061060	0,385	24
	100	73061100	0,544	24
	150	73061150	0,750	12
	200	73061200	0,957	12
	300	73061300	1,380	6
	400	73061400	2,116	6
	500	73061500	2,602	6
	600	73061600	3,577	6


Giunzione in Neoprene IP65
Neoprene Gasket IP65


35-60-85-100 • 60-600

Ref	kg/u	⊞
71000001	0,020	20

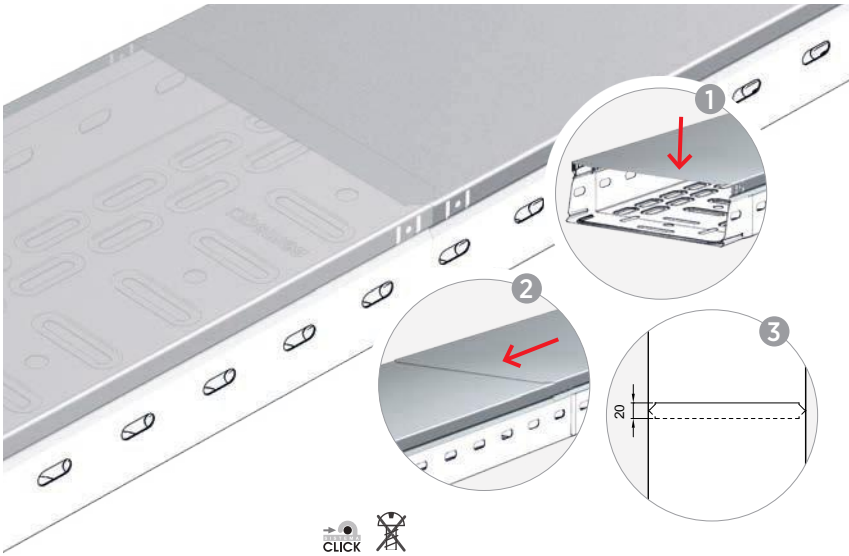

IDEA
Universal Omega Splus

 Compatibile con tutte le
 passarelle
 Compatible with all trays

IEC
 61537

☎ 080

Sovrapposizione dei coperchi, garantisce il grado IP!!

Covers overlap. Improved Sealing



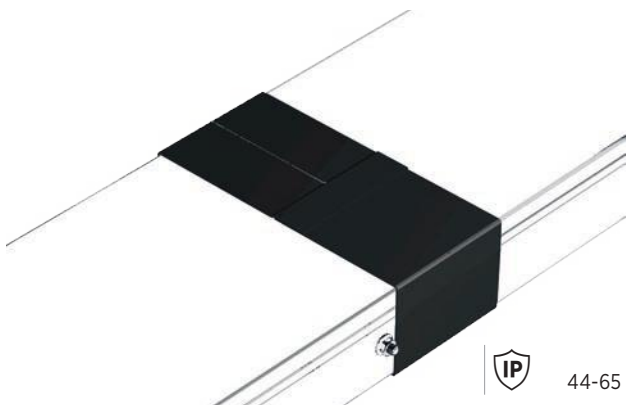
Sistema Click. Senza fissaggio!!

Click System. No fixings are required



Fissaggio sicuro per tratti verticali!!

Safe vertical installation



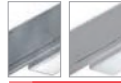
44-65

Massima sigillatura!!

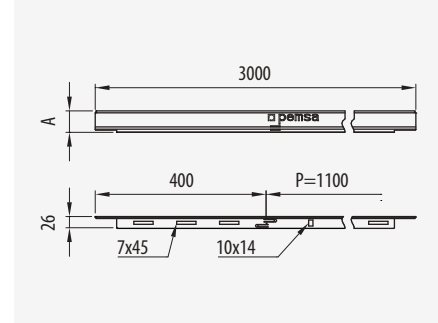
Maximum tightness



Separatore Click
Click Divider



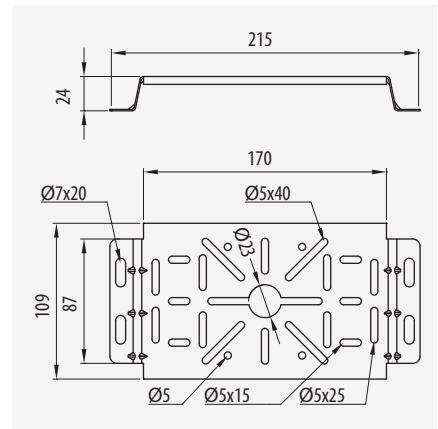
□ • ⊕ 35-60-85-100 • ⊕ 60-600					
⊕	A	⊕	Ref	kg/m	⊕
PG	25	35	67020610	0,212	60
	50	60	67020611	0,312	48
	80	85/100	67020612	0,444	36
GC	25	35	67030610	0,261	60
	50	60	67030611	0,384	48
	80	85/100	67030612	0,541	36
304	25	35	67050610	0,207	60
	50	60	67050611	0,305	48
	80	85/100	67050612	0,430	36
316L	25	35	67060610	0,207	60
	50	60	67060611	0,305	48
	80	85/100	67060612	0,430	36



Supporto universale pemsaband®
pemsaband® Universal Bracket



□ • ⊕ 35-60-85-100 • ⊕ 60-600			
⊕	Ref	kg/u	⊕
PG	70420911	0,179	10
GC	70430911	0,197	10

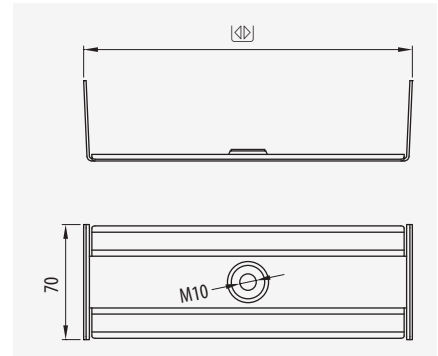


Sospensione interna pemsaband®
pemsaband® Inside Hanging Plate



□ • ⊕ 60 • ⊕ 100-400				
⊕	⊕	Ref	kg/u	⊕
EZ	100	70122210	0,157	10
	150	70122215	0,198	10
	200	70122220	0,239	10
	300	70122230	0,321	10
GC	400	70122240	0,404	10
	100	70132210	0,167	10
	150	70132215	0,211	10
	200	70132220	0,255	10
	300	70132230	0,342	10
	400	70132240	0,431	10

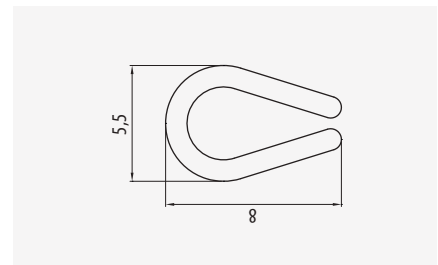
A	↓CTA↓ (kg)	A	↓CTA↓ (kg)
100	40	200	27
150	35	300	20

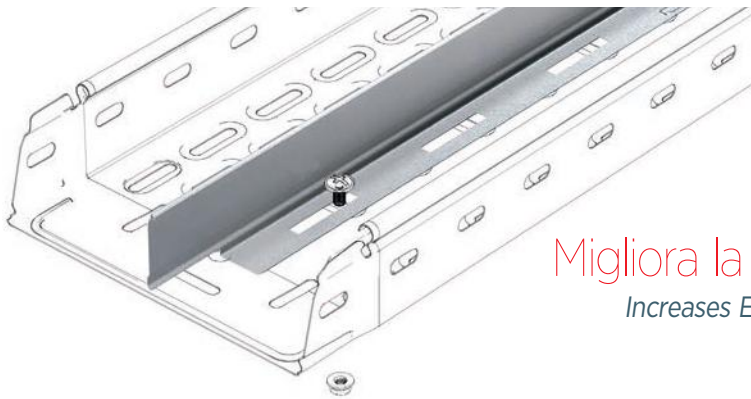


Profilo di pretezione pemsaband®
pemsaband® Profile Protector



□ • ⊕ 35-60-85-100 • ⊕ 60-600		
Ref	kg/u	⊕
71000000	0,032	25





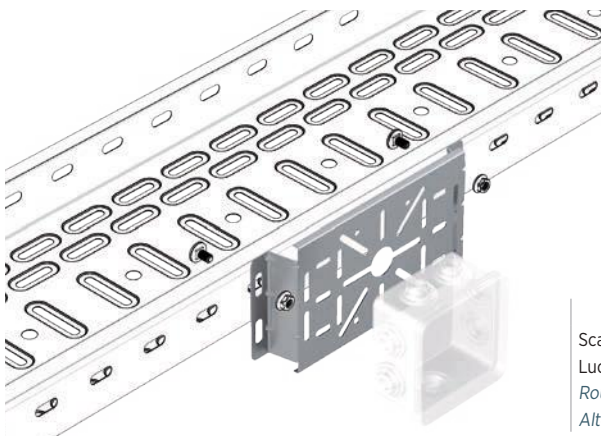
x 1 x m

054

Facile divisione dei cavi!!
Easy cable management

Migliora la EMC!!
Increases EMC

058

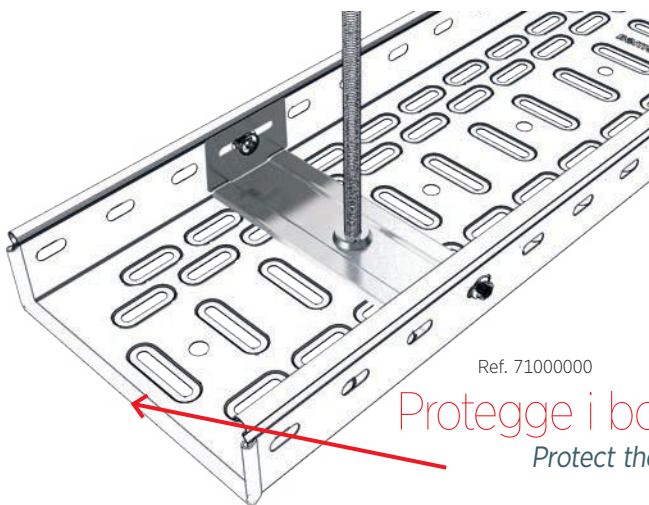


x 2

054

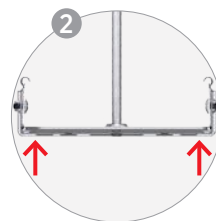
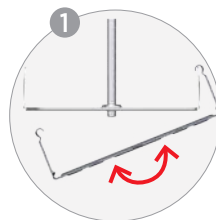
Versatile
Molteplici applicazioni!!
Versatile. Multiple applications

Scatole / Boxes
Luci d'emergenza / Emergency Lighting
Routers / Routers
Altoparlanti / Speakers



Ref. 7100000

Protegge i bordi!!
Protect the edges



x 2

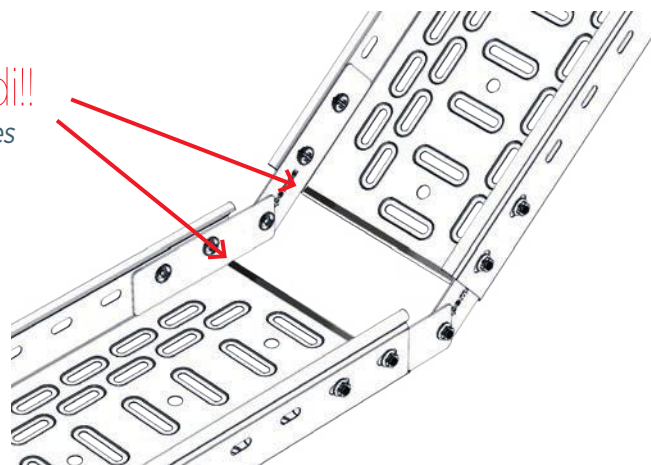
054

Sistema nascosto
Il supporto alloggia dentro la passerella!!

Hidden System.
The support is installed inside the cable tray

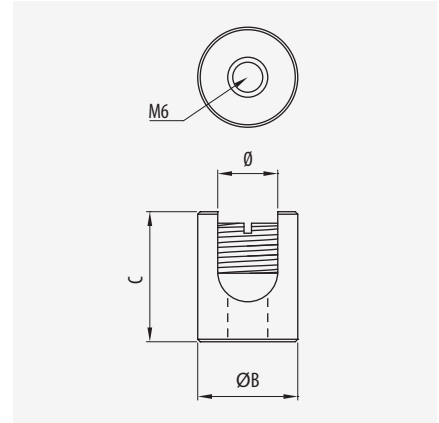
Ref. 7100000

Protegge i bordi!!
Protect the edges

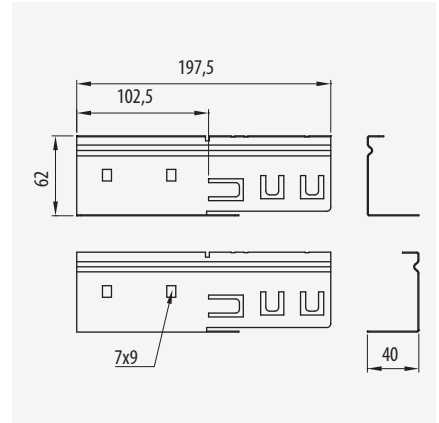



Morsetto equipotenziale
Bonding Connector

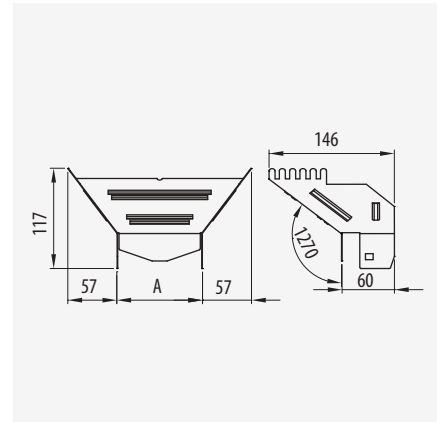

□ • ⊕ 35-60-85-100 • ⊕ 60-600					
⊕	A (mm ²)	∅ max (mm)	Ref	kg/u	⊠
LAT	16-50	8,0	68000034	0,024	20
	50-110	11,5	68000035	0,043	20

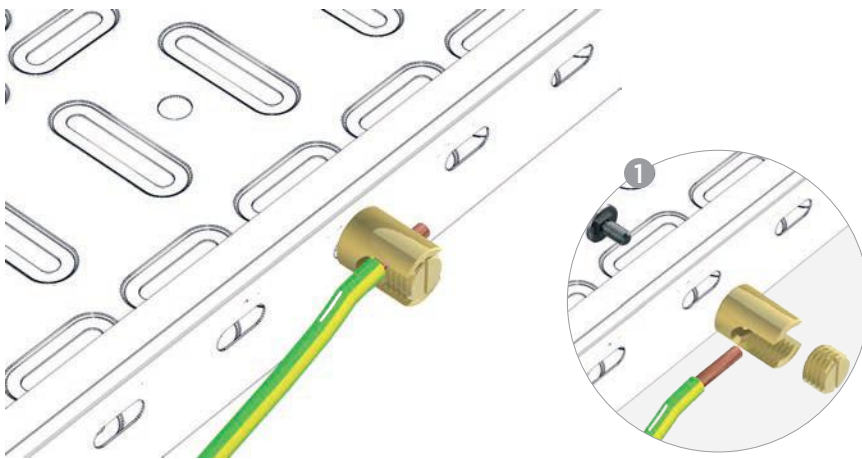

Giunzione rejiband®-pemsaband®
rejiband®-pemsaband® Coupler


□ • ⊕ 60 • ⊕ 60-600			
⊕	Ref	kg/u	⊠
PG	70120200	0,190	1
GC	70130200	0,214	1


Derivazione rejiband®-pemsaband®
Base Entry rejiband®-pemsaband®


□ • ⊕ 60 • ⊕ 100-150				
⊕	A	Ref	kg/u	⊠
PG	100	70027100	0,172	1
	150	70027150	0,240	1
GC	100	70037100	0,221	1
	150	70037150	0,294	1





114

Consultare gli esempi di connessione equipotenziale
Consult Examples of Equipotential Bonding

060

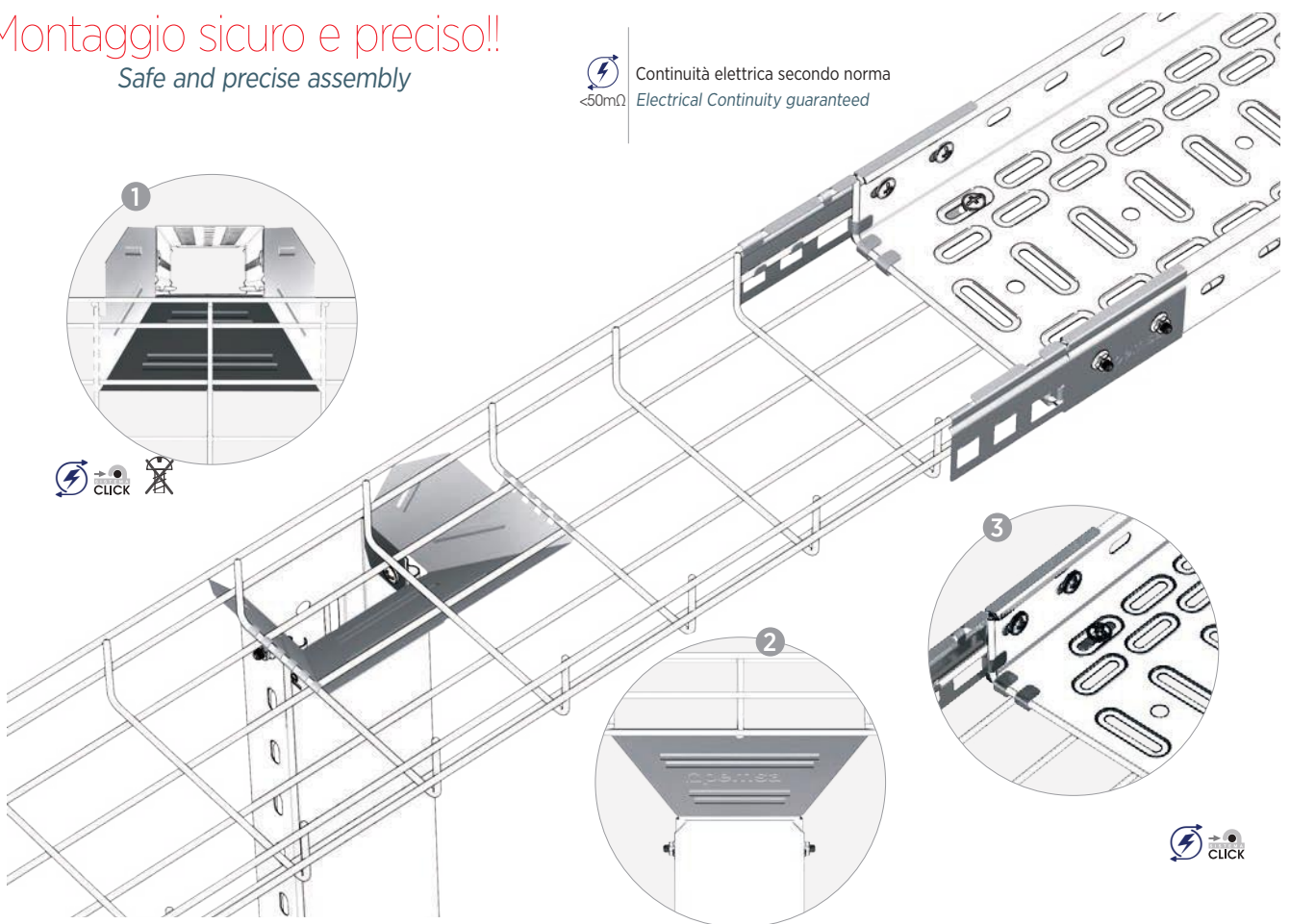
Montaggio sicuro e preciso!!

Safe and precise assembly

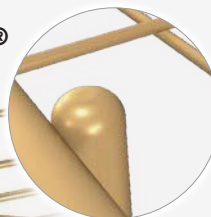


Continuità elettrica secondo norma

<50mΩ Electrical Continuity guaranteed



reijband®



La passerella più sicura
The Safest Cable Tray

IDEA



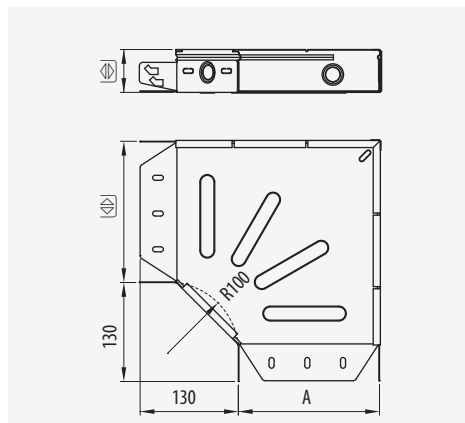
+ Bordo di sicurezza
+ Safety edge



012



Curva 90° Click
90° Bend Click



□ • ⊕ 35-60-85-100 • ⊕ 60-600					
⊕	⊕	⊕	Ref	kg/u	⊕
PG	35	100	70020110	0,272	1
	35	150	70020115	0,419	1
	35	200	70020120	0,683	1
	35	300	70020130	1,152	1
	60	60	70020206	0,362	1
	60	100	70020210	0,362	1
	60	150	70020215	0,516	1
	60	200	70020220	0,809	1
	60	300	70020230	1,306	1
	60	400	70020240	1,912	1
	60	500	70020250	3,003	1
	60	600	70020260	3,947	1
	85	200	70020320	0,930	1
	85	300	70020330	1,455	1
	85	400	70020340	2,088	1
85	500	70020350	3,198	1	
85	600	70020360	4,211	1	
100	100	70020410	0,443	1	
100	200	70020420	1,009	1	
100	300	70020430	1,550	1	
100	400	70020440	2,201	1	
100	500	70020450	3,385	1	
100	600	70020460	4,379	1	
GC	35	100	70030110	0,358	1
	35	150	70030115	0,551	1
	35	200	70030120	0,879	1
	35	300	70030130	1,483	1

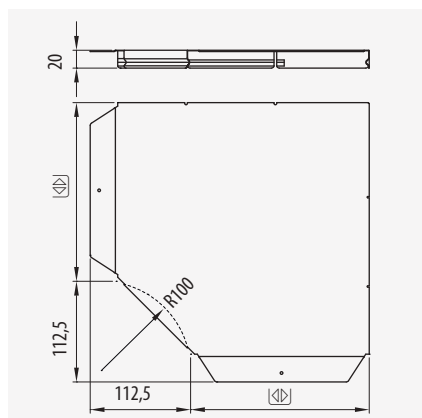


□ • ⊕ 35-60-85-100 • ⊕ 60-600					
⊕	⊕	⊕	Ref	kg/u	⊕
GC	60	100	70030210	0,475	1
	60	150	70030215	0,679	1
	60	200	70030220	1,042	1
	60	300	70030230	1,681	1
	60	400	70030240	2,461	1
	60	500	70030250	3,382	1
	60	600	70030260	4,444	1
	85	200	70030320	1,198	1
	85	300	70030330	1,873	1
	85	400	70030340	2,688	1
	85	500	70030350	3,399	1
	85	600	70030360	4,742	1
	100	100	70030410	0,669	1
	100	200	70030420	1,226	1
	100	300	70030430	1,883	1
100	400	70030440	2,674	1	
100	500	70030450	3,597	1	
100	600	70030460	4,655	1	
304	60	100	70050210	0,297	1
	60	150	70050215	0,423	1
	60	200	70050220	0,568	1
	60	300	70050230	0,919	1
	60	400	70050240	1,347	1
	60	500	70050250	1,854	1
316L	60	600	70050260	2,441	1
	60	100	70060210	0,297	1
	60	150	70060215	0,423	1
	60	200	70060220	0,568	1
	60	300	70060230	0,919	1
	60	400	70060240	1,347	1
60	500	70060250	1,854	1	
60	600	70060260	2,441	1	

Coperchio Curva 90° Click
90° Bend Cover Click

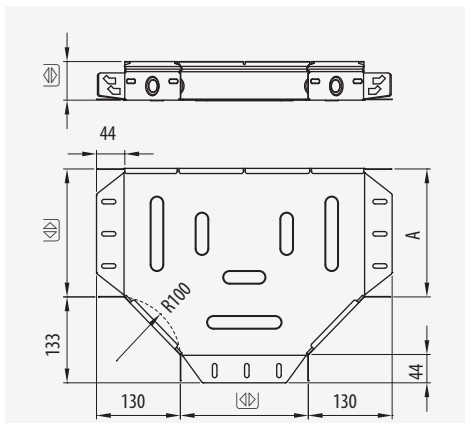
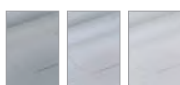


□ • ⊕ 35-60-85-100 • ⊕ 60-600				
⊕	⊕	Ref	kg/u	⊕
PG	60	73020060	0,200	1
	100	73020100	0,200	1
	150	73020150	0,320	1
	200	73020200	0,543	1
	300	73020300	0,962	1
	400	73020400	1,491	1
GC	500	73020500	2,435	1
	600	73020600	3,292	1
	100	73030100	0,263	1
	150	73030150	0,421	1
	200	73030200	0,698	1
	300	73030300	1,237	1
304	400	73030400	1,918	1
	500	73030500	2,741	1
	600	73030600	3,703	1
	100	73050100	0,167	1
	150	73050150	0,267	1
	200	73050200	0,387	1
316L	300	73050300	0,687	1
	400	73050400	1,065	1
	500	73050500	1,522	1
	600	73050600	2,058	1



□ • ⊕ 35-60-85-100 • ⊕ 60-600				
⊕	⊕	Ref	kg/u	⊕
316L	100	73060100	0,167	1
	150	73060150	0,267	1
	200	73060200	0,387	1
	300	73060300	0,687	1
	400	73060400	1,065	1
	500	73060500	1,522	1
600	73060600	2,058	1	

T Click
Tee Click

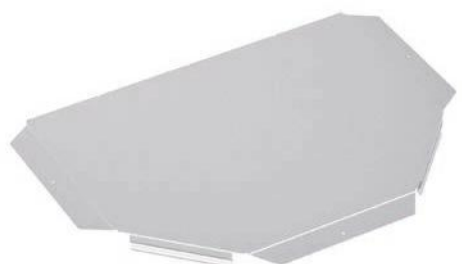


□ • ◊ 35-60-85-100 • ◀▶ 100-600					
⊕	◊	◀▶	Ref	kg/u	⊞
PG	35	100	70022110	0,347	1
	35	150	70022115	0,518	1
	35	200	70022120	0,823	1
	35	300	70022130	1,153	1
	60	100	70022210	0,450	1
	60	150	70022215	0,621	1
	60	200	70022220	0,949	1
	60	300	70022230	1,484	1
	60	400	70022240	2,126	1
	60	500	70022250	3,290	1
	60	600	70022260	4,275	1
	85	200	70022320	1,075	1
	85	300	70022330	1,622	1
	85	400	70022340	2,279	1
	85	500	70022350	3,479	1
	85	600	70022360	4,481	1
GC	100	100	70022410	0,581	1
	100	200	70022420	1,120	1
	100	300	70022430	1,667	1
	100	400	70022440	2,324	1
	100	500	70022450	3,533	1
	100	600	70022460	4,536	1
	35	100	70032110	0,457	1
	35	150	70032115	0,682	1
	35	200	70032120	1,060	1
	35	300	70032130	1,730	1
	60	100	70032210	0,592	1
	60	150	70032215	0,816	1
	60	200	70032220	1,223	1
	60	300	70032230	1,910	1
	60	400	70032240	2,737	1
	60	500	70032250	3,705	1
60	600	70032260	4,815	1	

□ • ◊ 35-60-85-100 • ◀▶ 100-600						
⊕	◊	◀▶	Ref	kg/u	⊞	
GC	85	200	70032320	1,383	1	
	85	300	70032330	2,088	1	
	85	400	70032340	2,933	1	
	85	500	70032350	3,919	1	
	85	600	70032360	5,046	1	
	100	100	70032410	0,809	1	
	100	200	70032420	1,201	1	
	100	300	70032430	1,787	1	
	100	400	70032440	2,491	1	
	100	500	70032450	3,755	1	
304	60	100	70052210	0,368	1	
	60	150	70052215	0,506	1	
	60	200	70052220	0,664	1	
	60	300	70052230	1,039	1	
	60	400	70052240	1,493	1	
	60	500	70052250	2,025	1	
	60	600	70052260	2,636	1	
	316L	60	100	70062210	0,368	1
		60	150	70062215	0,506	1
		60	200	70062220	0,664	1
60		300	70062230	1,039	1	
60		400	70062240	1,493	1	
60		500	70062250	2,025	1	
60	600	70062260	2,636	1		

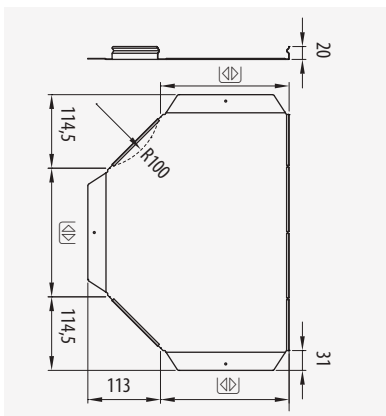


Coperchio T Click
Tee Cover Click



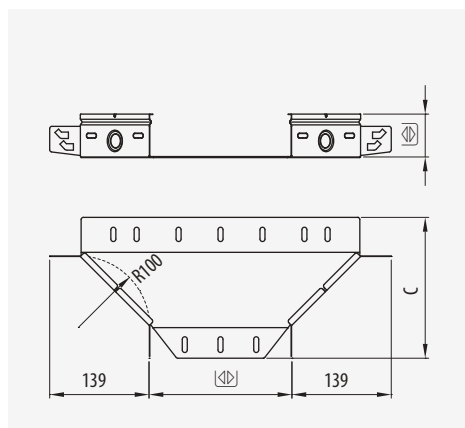
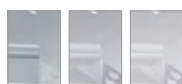
□ • ◊ 35-60-85-100 • ◀▶ 100-600					
⊕	◊	Ref	kg/u	⊞	
PG	100	73022100	0,266	1	
	150	73022150	0,410	1	
	200	73022200	0,674	1	
	300	73022300	1,147	1	
	400	73022400	1,730	1	
	500	73022500	2,769	1	
GC	600	73022600	3,687	1	
	100	73032100	0,350	1	
	150	73032150	0,539	1	
	200	73032200	0,867	1	
	300	73032300	1,476	1	
	400	73032400	2,225	1	
304	500	73032500	3,117	1	
	600	73032600	4,150	1	
	100	73052100	0,222	1	
	150	73052150	0,342	1	
	200	73052200	0,481	1	
	300	73052300	0,819	1	
400	73052400	1,236	1		
500	73052500	1,731	1		
600	73052600	2,304	1		

□ • ◊ 35-60-85-100 • ◀▶ 100-600					
⊕	◊	Ref	kg/u	⊞	
316L	100	73062100	0,222	1	
	150	73062150	0,342	1	
	200	73062200	0,481	1	
	300	73062300	0,819	1	
	400	73062400	1,236	1	
	500	73062500	1,731	1	
600	73062600	2,304	1		





Derivazione Click
Side Entry Click



□ • ⊕ 35-60-85-100 • ⊕ 60-600					
⊕	⊕	⊕	Ref	kg/u	⊕
PG	35	100	70023110	0,215	1
	35	150	70023115	0,259	1
	35	200	70023120	0,357	1
	35	300	70023130	0,462	1
	60	60	70023206	0,212	1
	60	100	70023210	0,265	1
	60	150	70023215	0,310	1
	60	200	70023220	0,414	1
	60	300	70023230	0,519	1
	60	400	70023240	0,624	1
	60	500	70023250	0,833	1
	60	600	70023260	0,953	1
	85	200	70023320	0,476	1
	85	300	70023330	0,564	1
	85	400	70023340	0,686	1
	85	500	70023350	0,904	1
	85	600	70023360	1,024	1
	GC	100	100	70023410	0,373
100		200	70023420	0,511	1
100		300	70023430	0,616	1
100		400	70023440	0,721	1
100		500	70023450	0,944	1
100		600	70023460	1,064	1
35		100	70033110	0,282	1
35		150	70033115	0,343	1
35		200	70033120	0,459	1
35		300	70033130	0,594	1

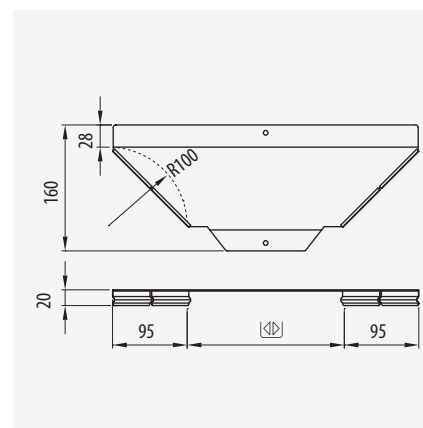


□ • ⊕ 35-60-85-100 • ⊕ 60-600					
⊕	⊕	⊕	Ref	kg/u	⊕
GC	60	100	70033210	0,347	1
	60	150	70033215	0,407	1
	60	200	70033220	0,532	1
	60	300	70033230	0,668	1
	60	400	70033240	0,803	1
	60	500	70033250	0,938	1
	60	600	70033260	1,073	1
	85	200	70033320	0,612	1
	85	300	70033330	0,731	1
	85	400	70033340	0,851	1
	85	500	70033350	0,971	1
	85	600	70033360	1,091	1
	100	100	70033410	0,498	1
	100	200	70033420	0,621	1
	100	300	70033430	0,749	1
	100	400	70033440	0,876	1
	100	500	70033450	1,004	1
	100	600	70033460	1,131	1
304	60	100	70053210	0,237	1
	60	150	70053215	0,275	1
	60	200	70053220	0,313	1
	60	300	70053230	0,391	1
	60	400	70053240	0,468	1
	60	500	70053250	0,518	1
316L	60	600	70053260	0,592	1
	60	100	70063210	0,237	1
	60	150	70063215	0,275	1
	60	200	70063220	0,313	1
	60	300	70063230	0,391	1
	60	400	70063240	0,468	1
60	500	70063250	0,518	1	
60	600	70063260	0,592	1	

Coperchio derivazione Click
Side Entry Cover Click



□ • ⊕ 35-60-85-100 • ⊕ 60-600					
⊕	⊕	Ref	kg/u	⊕	
PG	60	73023060	0,100	1	
	100	73023100	0,161	1	
	150	73023150	0,198	1	
	200	73023200	0,236	1	
	300	73023300	0,363	1	
	400	73023400	0,451	1	
	500	73023500	0,616	1	
	600	73023600	0,716	1	
	GC	100	73033100	0,228	1
		150	73033150	0,280	1
		200	73033200	0,412	1
		300	73033300	0,545	1
400		73033400	0,677	1	
500		73033500	0,809	1	
304	600	73033600	0,941	1	
	100	73053100	0,134	1	
	150	73053150	0,165	1	
	200	73053200	0,197	1	
	300	73053300	0,259	1	
	400	73053400	0,322	1	
500	73053500	0,385	1		
600	73053600	0,448	1		

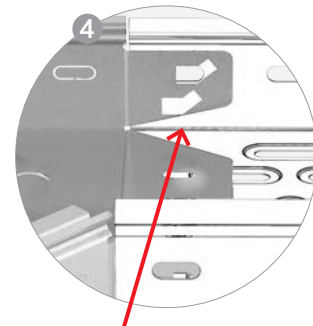


□ • ⊕ 35-60-85-100 • ⊕ 60-600					
⊕	⊕	Ref	kg/u	⊕	
316L	100	73063100	0,134	1	
	150	73063150	0,165	1	
	200	73063200	0,197	1	
	300	73063300	0,259	1	
	400	73063400	0,322	1	
	500	73063500	0,385	1	
600	73063600	0,448	1		

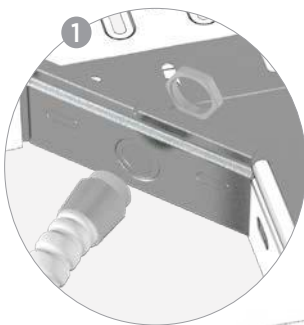




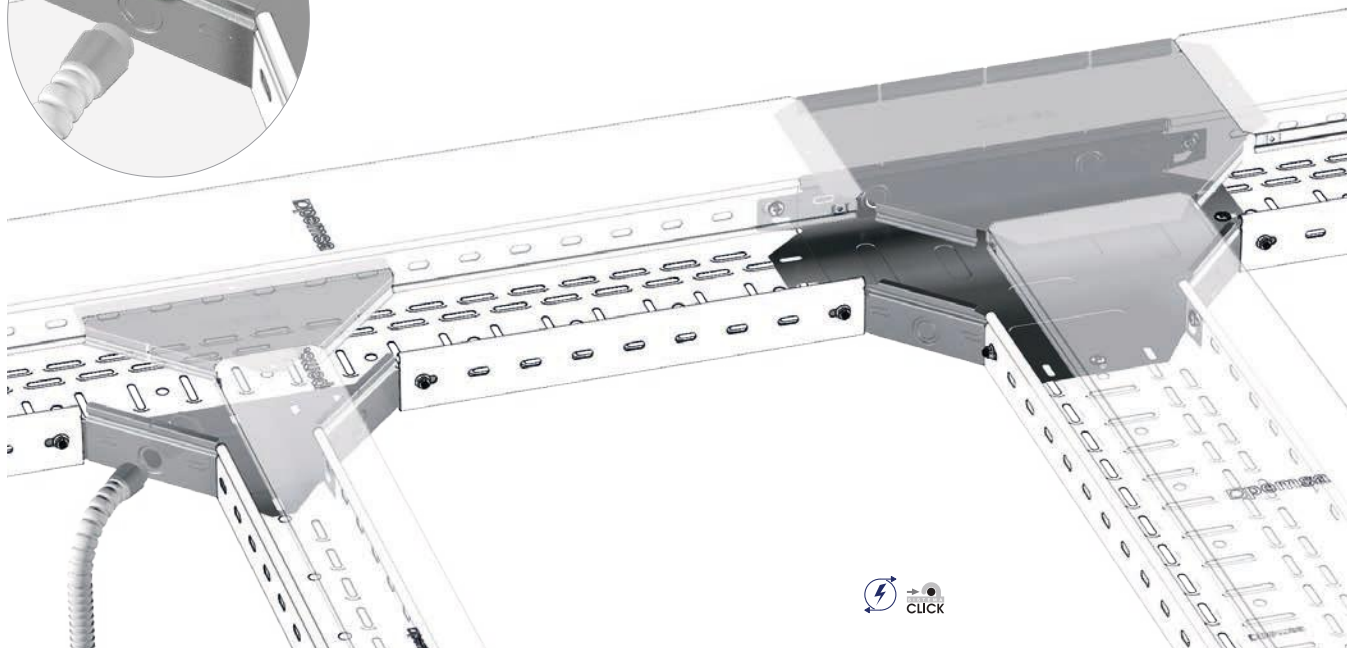
Sistema Click: Senza giunti!!
Click System: No couplers are required

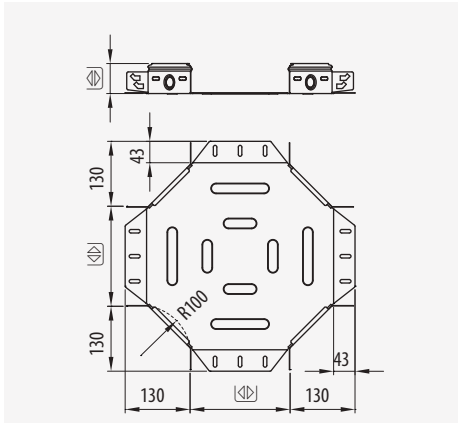


Sistema universale brevettato. Compatibile con qualsiasi passerella di metallo!!
Patented Universal System. Applies to any cable tray



Entrata per tubi!!
Conduit Outlet.




Incrocio Click
Crossover Click


□ • □ 35-60-85-100 • □ 100-600

⊕	□	□	Ref	kg/u	⊞
PG	35	100	70024110	0,434	1
	35	150	70024115	0,630	1
	35	200	70024120	0,980	1
	35	300	70024130	1,777	1
	60	100	70024210	0,548	1
	60	150	70024215	0,735	1
	60	200	70024220	1,104	1
	60	300	70024230	1,918	1
	60	400	70024240	2,700	1
	60	500	70024250	3,608	1
	60	100	70024260	4,642	1
	85	200	70024320	1,228	1
GC	85	300	70024330	2,059	1
	85	400	70024340	2,841	1
	85	500	70024350	3,749	1
	85	600	70024360	4,783	1
	100	100	70024410	0,679	1
	100	200	70024420	1,247	1
	100	300	70024430	1,807	1
	100	400	70024440	2,831	1
	100	500	70024450	3,722	1
	100	600	70024460	4,739	1
	35	100	70034110	0,570	1
	35	150	70034115	0,826	1
	35	200	70034120	1,260	1
	35	300	70034130	2,000	1
	60	100	70034210	0,720	1
	60	150	70034215	0,965	1
	60	200	70034220	1,420	1
	60	300	70034230	2,159	1
60	400	70034240	3,039	1	
60	500	70034250	4,061	1	
60	600	70034260	5,225	1	

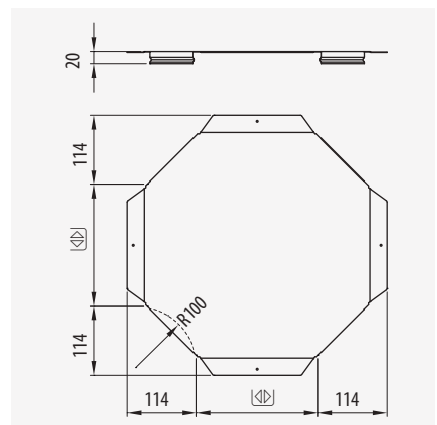
□ • □ 35-60-85-100 • □ 100-600

⊕	□	□	Ref	kg/u	⊞
GC	85	200	70034320	1,579	1
	85	300	70034330	2,318	1
	85	400	70034340	3,198	1
	85	500	70034350	4,220	1
	85	600	70034360	5,384	1
	100	100	70034410	0,907	1
	100	200	70034420	1,337	1
	100	300	70034430	1,937	1
	100	400	70034440	3,009	1
	100	500	70034450	3,957	1
	100	600	70034460	5,038	1
	304	60	100	70054210	0,431
60		150	70054215	0,583	1
60		200	70054220	0,753	1
60		300	70054230	1,153	1
60		400	70054240	1,631	1
60		500	70054250	2,189	1
316L	60	600	70054260	2,824	1
	60	100	70064210	0,431	1
	60	150	70064215	0,583	1
	60	200	70064220	0,753	1
	60	300	70064230	1,153	1
	60	400	70064240	1,631	1
60	500	70064250	2,189	1	
60	600	70064260	2,824	1	


Coperchio per incrocio Click
Crossover Cover Click


□ • □ 35-60-85-100 • □ 100-600

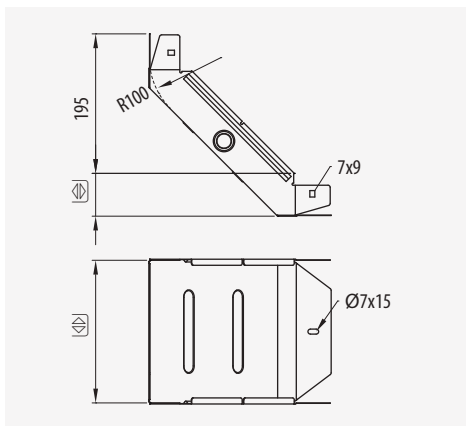
⊕	□	Ref	kg/u	⊞
PG	100	73024100	0,344	1
	150	73024150	0,511	1
	200	73024200	0,818	1
	300	73024300	1,537	1
	400	73024400	2,265	1
	500	73024500	3,119	1
GC	600	73024600	4,094	1
	100	73034100	0,452	1
	150	73034150	0,671	1
	200	73034200	1,052	1
	300	73034300	1,730	1
	400	73034400	2,550	1
304	500	73034500	3,511	1
	600	73034600	4,608	1
	100	73054100	0,287	1
	150	73054150	0,426	1
	200	73054200	0,584	1
	300	73054300	0,961	1
316L	400	73054400	1,416	1
	500	73054500	1,949	1
	600	73054600	2,559	1



□ • □ 35-60-85-100 • □ 100-600

⊕	□	Ref	kg/u	⊞
316L	100	73064100	0,287	1
	150	73064150	0,426	1
	200	73064200	0,584	1
	300	73064300	0,961	1
316L	400	73064400	1,416	1
	500	73064500	1,949	1
	600	73064600	2,559	1

Curva salita CNC Click
Inside Riser Click



35-60-85-100 • 60-600					
Ⓢ	A	B	Ref	kg/u	u
PG	35	100	70025110	0,248	1
	35	150	70025115	0,340	1
	35	200	70025120	0,561	1
	35	300	70025130	0,790	1
	60	60	70025206	0,276	1
	60	100	70025210	0,356	1
	60	150	70025215	0,452	1
	60	200	70025220	0,548	1
	60	300	70025230	0,862	1
	60	400	70025240	1,085	1
	60	500	70025250	1,495	1
	85	100	70025260	1,750	1
	85	200	70025320	0,796	1
	85	300	70025330	1,039	1
	85	400	70025340	1,281	1
	85	500	70025350	1,740	1
85	600	70025360	2,017	1	
GC	100	100	70025410	0,472	1
	100	200	70025420	0,873	1
	100	300	70025430	1,121	1
	100	400	70025440	1,368	1
	100	500	70025450	1,846	1
	100	600	70025460	2,128	1
	35	100	70035110	0,331	1
	35	150	70035115	0,453	1
	35	200	70035120	0,641	1
	35	300	70035130	0,903	1



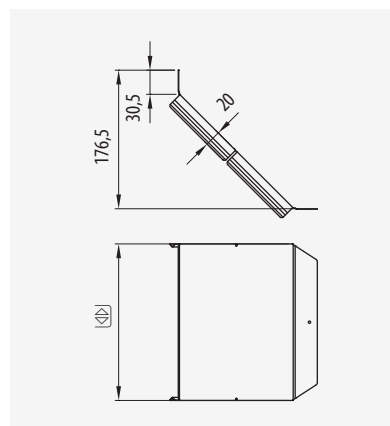
35-60-85-100 • 60-600					
Ⓢ	A	B	Ref	kg/u	u
GC	60	100	70035210	0,468	1
	60	150	70035215	0,593	1
	60	200	70035220	0,822	1
	60	300	70035230	1,109	1
	60	400	70035240	1,396	1
	60	500	70035250	1,683	1
	60	600	70035260	1,970	1
	85	200	70035320	1,024	1
	85	300	70035330	1,336	1
	85	400	70035340	1,648	1
	85	500	70035350	1,959	1
	85	600	70035360	2,271	1
	100	100	70035410	0,630	1
	100	200	70035420	0,936	1
	100	300	70035430	1,201	1
	100	400	70035440	1,466	1
100	500	70035450	1,962	1	
100	600	70035460	2,262	1	
304	60	100	70055210	0,297	1
	60	150	70055215	0,377	1
	60	200	70055220	0,456	1
	60	300	70055230	0,616	1
	60	400	70055240	0,775	1
	60	500	70055250	0,934	1
316L	60	600	70055260	1,094	1
	60	100	70065210	0,297	1
	60	150	70065215	0,377	1
	60	200	70065220	0,456	1
	60	300	70065230	0,616	1
	60	400	70065240	0,775	1
60	500	70065250	0,934	1	
60	600	70065260	1,094	1	

Coperchio per curva salita CNC Click
Inside Riser Cover Click



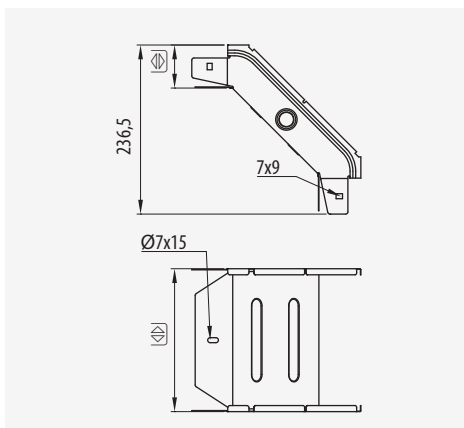
35-60-85-100 • 60-600				
Ⓢ	A	Ref	kg/u	u
PG	60	73025060	0,100	1
	100	73025100	0,153	1
	150	73025150	0,216	1
	200	73025200	0,326	1
	300	73025300	0,472	1
	400	73025400	0,622	1
	500	73025500	0,873	1
	600	73025600	1,171	1
	100	73035100	0,201	1
	150	73035150	0,284	1
GC	200	73035200	0,419	1
	300	73035300	0,608	1
	400	73035400	0,800	1
	500	73035500	0,983	1
	600	73035600	1,171	1
	304	100	73055100	0,128
150		73055150	0,180	1
200		73055200	0,233	1
300		73055300	0,367	1
400		73055400	0,441	1
500		73055500	0,546	1
600	73055600	0,732	1	

35-60-85-100 • 60-600				
Ⓢ	A	Ref	kg/u	u
316L	100	73065100	0,128	1
	150	73065150	0,180	1
	200	73065200	0,233	1
	300	73065300	0,367	1
	400	73065400	0,441	1
	500	73065500	0,546	1
600	73065600	0,732	1	





Curva discesa CNV Click
Outside Riser Click



35-60-85-100 • 60-600					
⊕	⊕	⊕	Ref	kg/u	⊕
PG	35	100	70026110	0,236	1
	35	150	70026115	0,310	1
	35	200	70026120	0,444	1
	35	300	70026130	0,694	1
	60	60	70026206	0,227	1
	60	100	70026210	0,287	1
	60	150	70026215	0,352	1
	60	200	70026220	0,486	1
	60	300	70026230	0,636	1
	60	400	70026240	0,786	1
	60	500	70026250	1,070	1
	60	100	70026260	1,242	1
	85	200	70026320	0,436	1
	85	300	70026330	0,639	1
	85	400	70026340	0,769	1
	85	500	70026350	0,900	1
	85	600	70026360	1,177	1
	GC	100	100	70026410	0,338
100		200	70026420	0,509	1
100		300	70026430	0,622	1
100		400	70026440	0,728	1
100		500	70026450	0,967	1
100		600	70026460	1,095	1
35		100	70036110	0,310	1
35		150	70036115	0,407	1
35		200	70036120	0,571	1
35		300	70036130	0,781	1

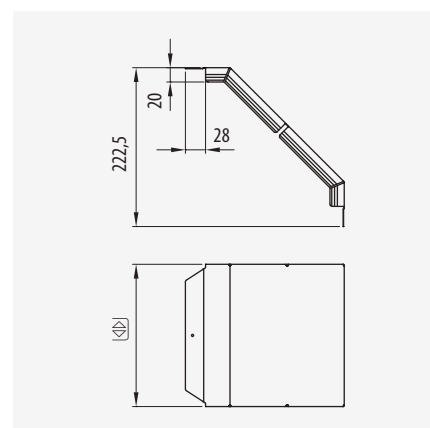


35-60-85-100 • 60-600					
⊕	⊕	⊕	Ref	kg/u	⊕
GC	60	100	70036210	0,377	1
	60	150	70036215	0,468	1
	60	200	70036220	0,625	1
	60	300	70036230	0,818	1
	60	400	70036240	1,011	1
	60	500	70036250	1,205	1
	60	600	70036260	1,398	1
	85	200	70036320	0,654	1
	85	300	70036330	0,822	1
	85	400	70036340	0,988	1
	85	500	70036350	1,157	1
	85	600	70036360	1,325	1
	100	100	70036410	0,452	1
	100	200	70036420	0,546	1
	100	300	70036430	0,666	1
	100	400	70036440	0,781	1
	100	500	70036450	1,028	1
	100	600	70036460	1,164	1
304	60	100	70056210	0,239	1
	60	150	70056215	0,293	1
	60	200	70056220	0,347	1
	60	300	70056230	0,454	1
	60	400	70056240	0,561	1
	60	500	70056250	0,669	1
316L	60	600	70056260	0,776	1
	60	100	70066210	0,239	1
	60	150	70066215	0,293	1
	60	200	70066220	0,347	1
	60	300	70066230	0,454	1
	60	400	70066240	0,561	1
60	500	70066250	0,669	1	
60	600	70066260	0,776	1	

Coperchio per curva discesa CNV Click
Outside Riser Cover Click

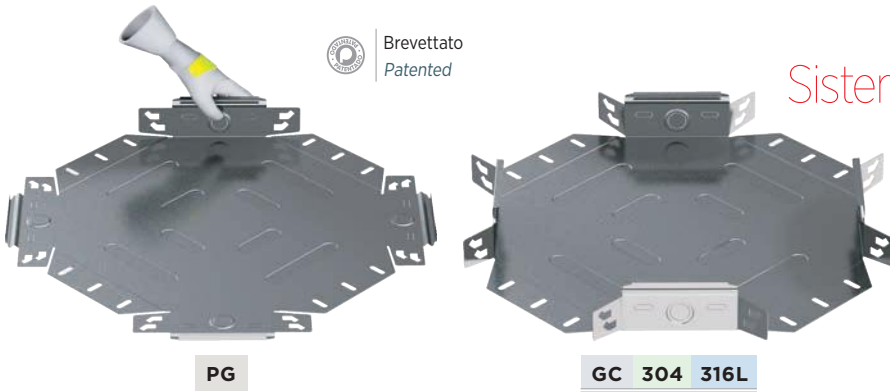


35-60-85-100 • 60-600				
⊕	⊕	Ref	kg/u	⊕
PG	60	73026060	0,192	1
	100	73026100	0,204	1
	150	73026150	0,287	1
	200	73026200	0,431	1
	300	73026300	0,623	1
	400	73026400	0,816	1
GC	500	73026500	1,152	1
	600	73026600	1,372	1
	100	73036100	0,268	1
	150	73036150	0,376	1
	200	73036200	0,554	1
	300	73036300	0,802	1
304	400	73036400	1,049	1
	500	73036500	1,297	1
	600	73036600	1,545	1
	100	73056100	0,170	1
	150	73056150	0,239	1
	200	73056200	0,308	1
316L	300	73056300	0,444	1
	400	73056400	0,583	1
	500	73056500	0,720	1
	600	73056600	0,858	1



35-60-85-100 • 60-600				
⊕	⊕	Ref	kg/u	⊕
316L	100	73066100	0,170	1
	150	73066150	0,239	1
	200	73066200	0,308	1
	300	73066300	0,444	1
	400	73066400	0,583	1
	500	73066500	0,720	1
600	73066600	0,858	1	





Brevettato Patented



x 2

054

Sistema Click:
Senza giunti!!

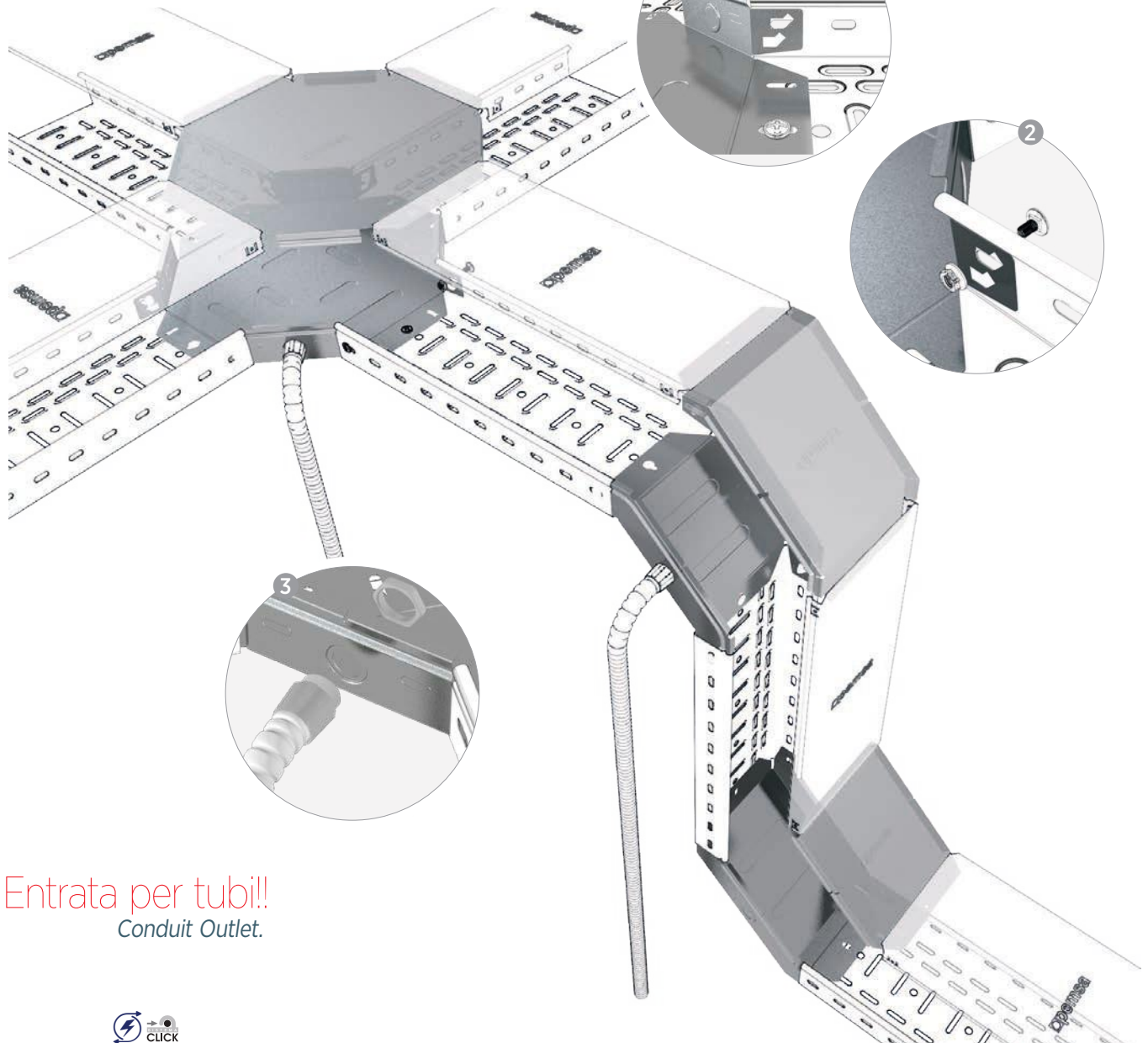
Click System: No couplers are required

Accessori forniti piatti
Risparmio di spazio durante
il trasporto e lo stoccaggio!!

Supplied flat. Savings on transportation and space.

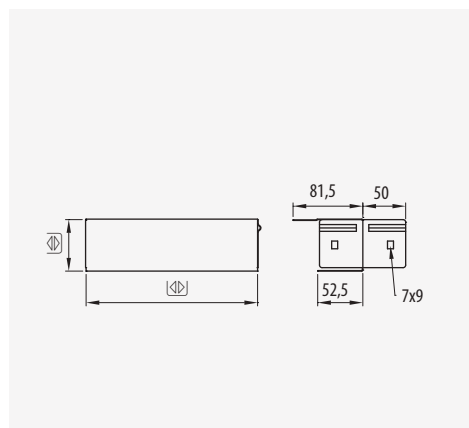
Sistema Universale brevettato.
Compatibile per qualunque passerella
in metallo

Patented Universal System.
Applies to any cable trays



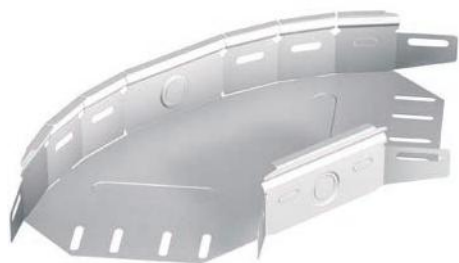
Entrata per tubi!!
Conduit Outlet.



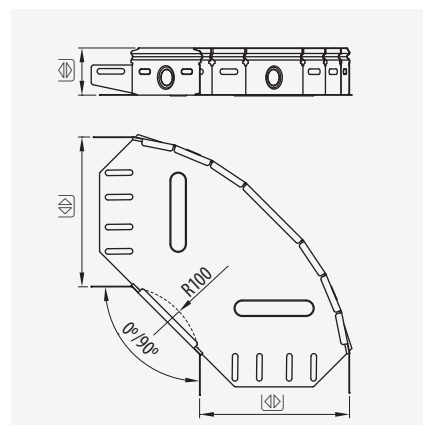

Riduzione pemsaband®
Reducer pemsaband®


☐ • ☒ 35-60-85-100 • ☒ 100-600					
☐	☒	☒	Ref	kg/u	☐
PG	35	100	71021010	0,074	1
	35	150	71021015	0,109	1
	35	200	71021020	0,159	1
	35	300	71021030	0,237	1
	60	100	71022010	0,098	1
	60	150	71022015	0,138	1
	60	200	71022020	0,194	1
	60	300	71022030	0,285	1
	60	400	71022040	0,602	1
	60	500	71022050	0,746	1
	60	600	71022060	0,890	1
	85	100	71023010	0,292	1
	85	200	71023020	0,372	1
	85	300	71023030	0,536	1
	85	400	71023040	0,700	1
	85	500	71023050	0,864	1
	85	600	71023060	1,027	1
	GC	100	100	71024010	0,223
100		200	71024020	0,408	1
100		300	71024030	0,583	1
100		400	71024040	0,759	1
100		500	71024050	0,934	1
100		600	71024060	1,110	1
35		100	71031010	0,092	1
35		150	71031015	0,136	1
35		200	71031020	0,199	1
35		300	71031030	0,297	1
60		100	71032010	0,122	1
60		150	71032015	0,173	1
60		200	71032020	0,243	1
60		300	71032030	0,356	1
60		400	71032040	0,632	1
60		500	71032050	0,784	1
60		600	71032060	0,935	1

☐ • ☒ 35-60-85-100 • ☒ 100-600					
☐	☒	☒	Ref	kg/u	☐
GC	85	200	71033020	0,392	1
	85	300	71033030	0,563	1
	85	400	71033040	0,735	1
	85	500	71033050	0,907	1
	85	600	71033060	1,079	1
	100	100	71034010	0,245	1
	100	200	71034020	0,429	1
	100	300	71034030	0,613	1
	100	400	71034040	0,797	1
	100	500	71034050	0,982	1
	100	600	71034060	1,166	1
	304	60	100	71052010	0,080
60		150	71052015	0,114	1
60		200	71052020	0,161	1
60		300	71052030	0,236	1
60		400	71052040	0,297	1
60		500	71052050	0,368	1
316L	60	600	71052060	0,439	1
	60	100	71062010	0,080	1
	60	150	71062015	0,114	1
	60	200	71062020	0,161	1
	60	300	71062030	0,236	1
	60	400	71062040	0,297	1
60	500	71062050	0,368	1	
60	600	71062060	0,439	1	


Curva variabile Click
Adjustable Bend Click


☐ • ☒ 35-60 • ☒ 100-300						
☐	☒	☒	Ref	kg/u	☐	
PG	35	100	70028110	0,224	1	
	35	150	70028115	0,361	1	
	35	200	70028120	0,486	1	
	35	300	70028130	0,849	1	
	60	100	70028210	0,297	1	
	60	150	70028215	0,448	1	
GC	60	200	70028220	0,574	1	
	60	300	70028230	0,965	1	
	35	100	70038110	0,240	1	
	35	150	70038115	0,386	1	
	35	200	70038120	0,521	1	
	35	300	70038130	0,910	1	
	60	100	70038210	0,318	1	
	60	150	70038215	0,480	1	
	60	200	70038220	0,615	1	
	60	300	70038230	1,034	1	
	304	60	100	70058210	0,212	1
		60	150	70058215	0,320	1
60		200	70058220	0,410	1	
60	300	70058230	0,500	1		



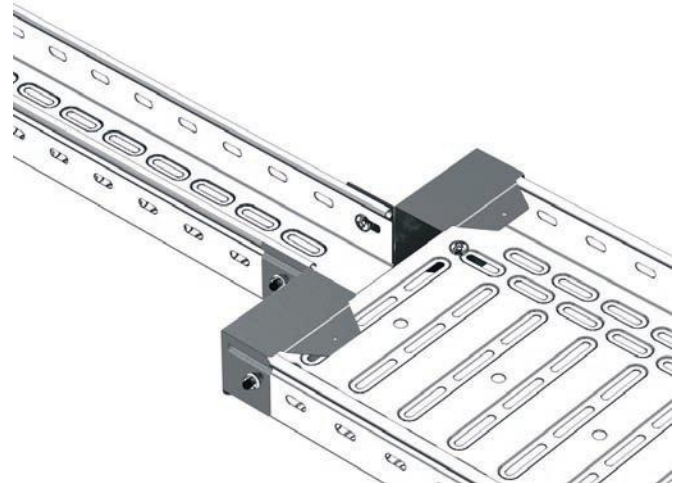
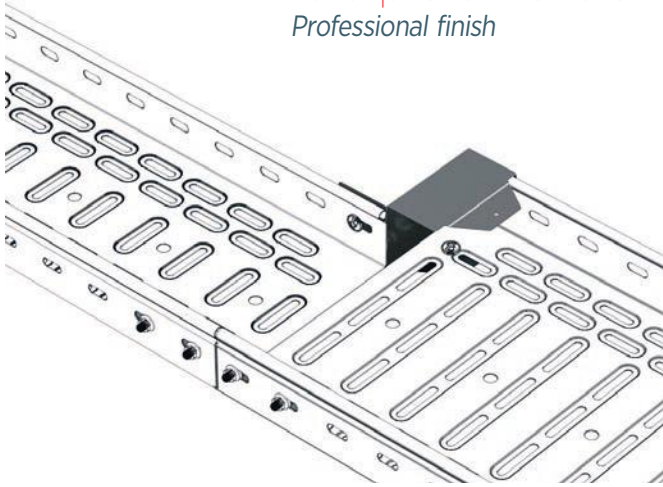
☐ • ☒ 35-60 • ☒ 100-300					
☐	☒	☒	Ref	kg/u	☐
316L	60	100	70068210	0,212	1
	60	150	70068215	0,320	1
	60	200	70068220	0,410	1
60	300	70068230	0,500	1	

Finitura professionale!!
Professional finish



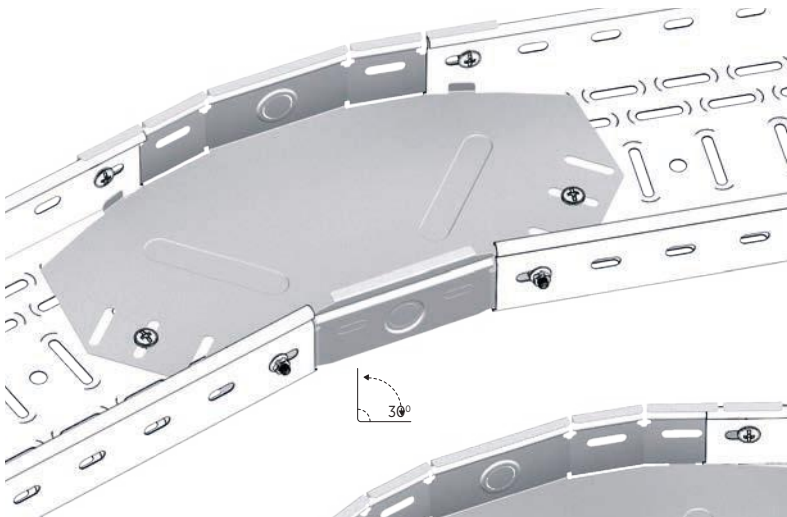
x 3

⊕ 054



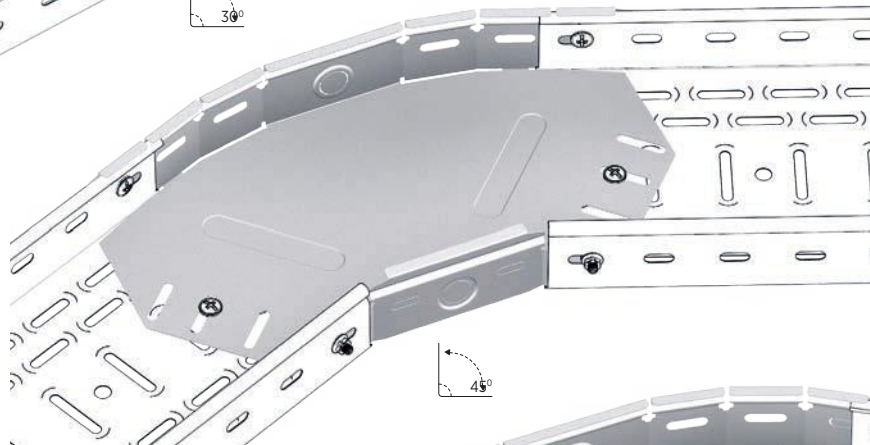
x 6

⊕ 054

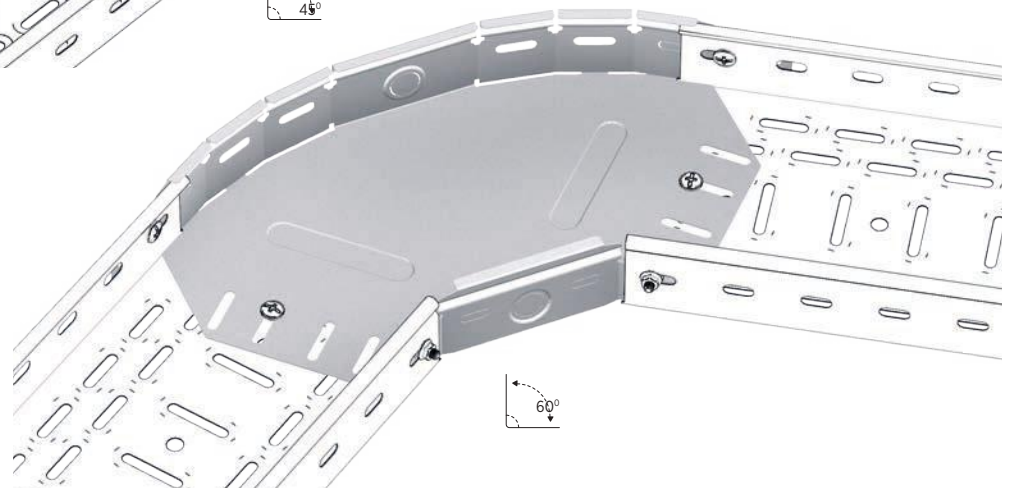


30°

Curva variabile 0°-90°!!
Adjustable Angle 0°-90°



45°

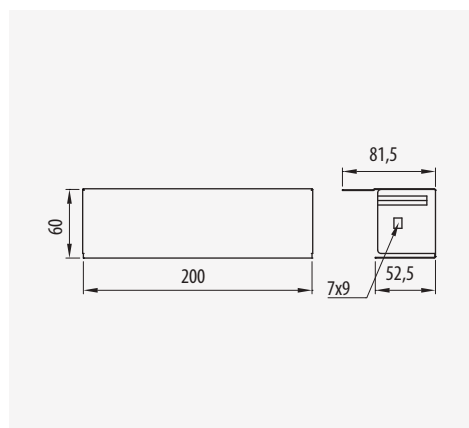


60°



Tappo terminalel

End Cover



□ • ⊕ 35-60-85-100 • ⊕ 100-600

⊕	⊕	⊕	Ref	kg/u	⊕
PG	35	100	71021010	0,074	1
	35	150	71021015	0,109	1
	35	200	71021020	0,159	1
	35	300	71021030	0,237	1
	60	100	71022010	0,098	1
	60	150	71022015	0,138	1
	60	200	71022020	0,194	1
	60	300	71022030	0,285	1
	60	400	71022040	0,602	1
	60	500	71022050	0,746	1
	60	600	71022060	0,890	1
	85	100	71023010	0,292	1
	85	200	71023020	0,372	1
	85	300	71023030	0,536	1
	85	400	71023040	0,700	1
	85	500	71023050	0,864	1
85	600	71023060	1,027	1	
100	100	71024010	0,223	1	
100	200	71024020	0,408	1	
100	300	71024030	0,583	1	
100	400	71024040	0,759	1	
100	500	71024050	0,934	1	
100	600	71024060	1,110	1	



□ • ⊕ 35-60-85-100 • ⊕ 100-600

⊕	⊕	⊕	Ref	kg/u	⊕
GC	35	100	70039110	0,092	1
	35	150	70039115	0,136	1
	35	200	70039120	0,199	1
	35	300	70039130	0,297	1
	60	100	70039210	0,122	1
	60	150	70039215	0,173	1
	60	200	70039220	0,243	1
	60	300	70039230	0,356	1
	60	400	70039240	0,632	1
	60	500	70039250	0,784	1
	60	600	70039260	0,935	1
	85	100	70039310	0,212	1
	85	200	70039320	0,392	1
	85	300	70039330	0,563	1
	85	400	70039340	0,735	1
	85	500	70039350	0,907	1
	85	600	70039360	1,079	1
	100	100	70039410	0,245	1
	100	200	70039420	0,429	1
	100	300	70039430	0,613	1
	100	400	70039440	0,797	1
	100	500	70039450	0,982	1
	100	600	70039460	1,166	1
	304	60	100	71052010	0,080
60		150	71052015	0,114	1
60		200	71052020	0,161	1
60		300	71052030	0,236	1
60		400	71052040	0,297	1
60		500	71052050	0,368	1
316L	60	600	71052060	0,439	1
	60	100	71062010	0,080	1
	60	150	71062015	0,114	1
	60	200	71062020	0,161	1
	60	300	71062030	0,236	1
	60	400	71062040	0,297	1
60	500	71062050	0,368	1	
60	600	71062060	0,439	1	

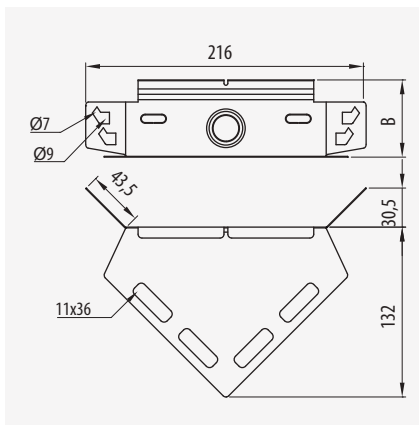
Angolo universale

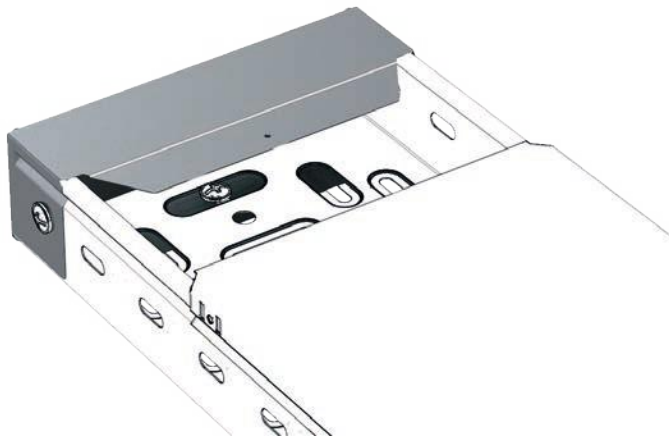
Universal Corner



□ • ⊕ 35-60-85-100 • ⊕ 100-600

⊕	⊕	Ref	kg/u	⊕
PG	35	70021100	0,106	1
	60	70021200	0,134	1
	85	70021300	0,165	1
	100	70021400	0,183	1
GC	35	70031100	0,114	1
	60	70031200	0,144	1
	85	70031300	0,177	1
304	60	70031400	0,196	1
	60	70051200	0,096	1
316L	60	70061200	0,096	1

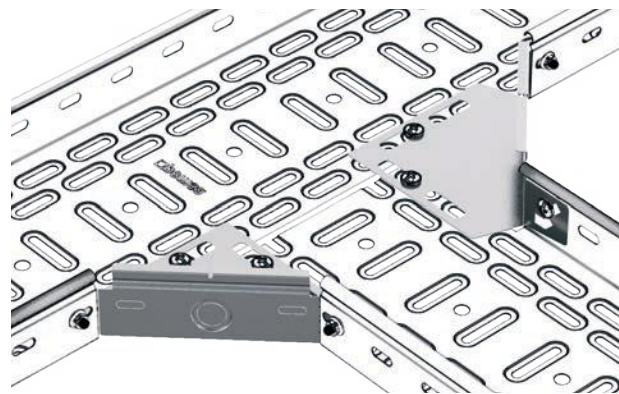
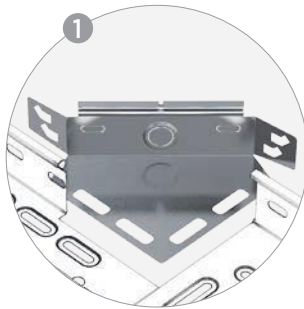




x 3

054

Finitura professionale!!
Professional finish

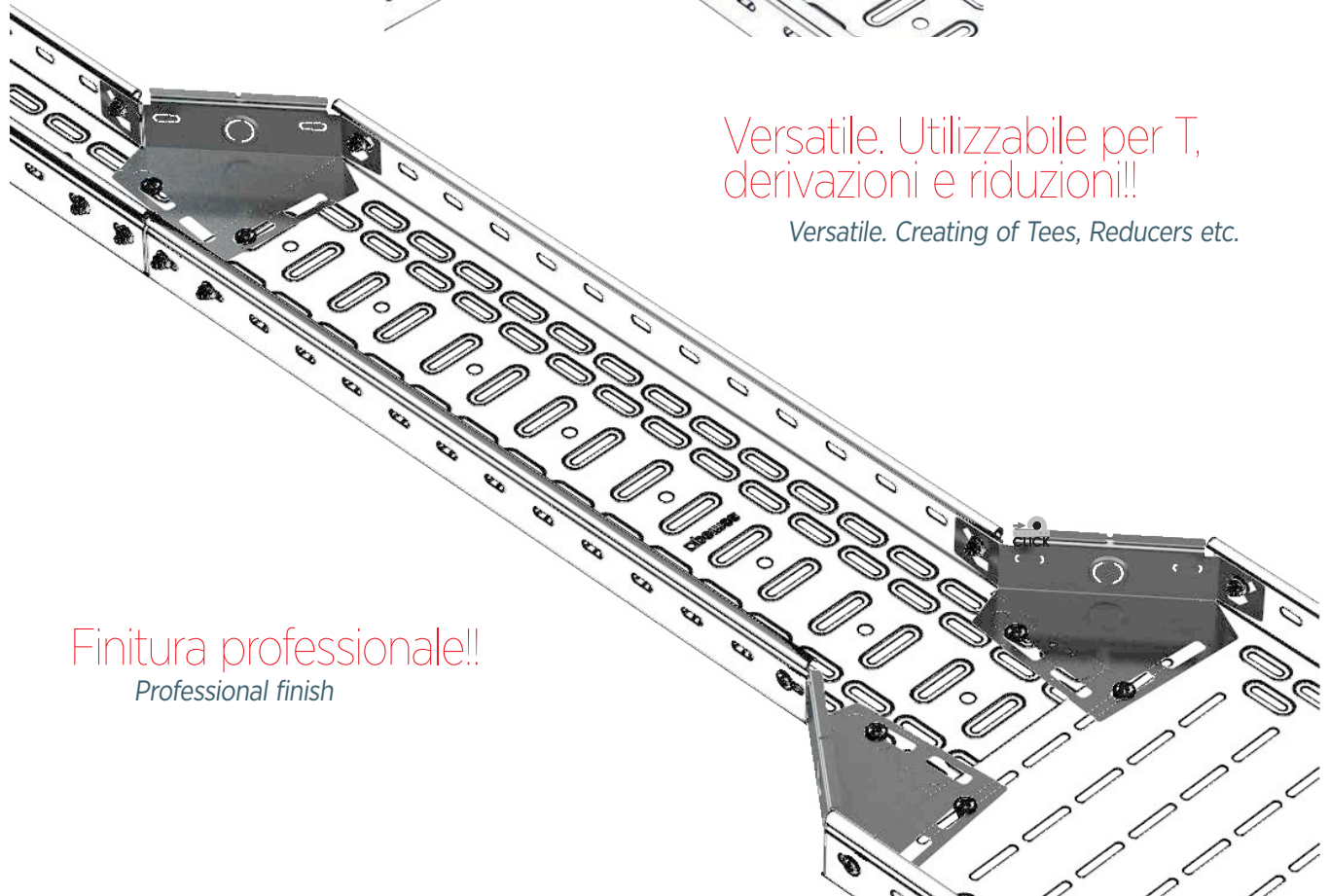


x 4

054

Versatile. Utilizzabile per T,
derivazioni e riduzioni!!

Versatile. Creating of Tees, Reducers etc.



Finitura professionale!!
Professional finish



SOLUTIONS
Petrochimico
Oil & Gas

pemsaband® PQ

GC



Alta resistencia. Instalaciones industriales
High Resistance. Industrial Installations



IDEA



reji band®

GC 304 316L



020