

arnocanali



Distribution Trunkings System with 45 mm direct devices fixing system.



Line
KAPPA 45

KAPPA 45

PVC trunking with cover 45 mm		Separator	Cover Joint	Articulated external angle
Lenght 2 metres				
 55x54 mm	KG5555.3	KGTR55	KGV55	-
 85x54 mm	KG5585.3	KGTR55	KGV55	KGA5585.3
 105x54 mm	KG55105.3	KGTR55	KGV55	KGA55105.3
 134x54 mm	KG55135-2.3	KGTR55	KGV55	KGA55135.3
 162x54 mm	KG55165-2.3	KGTR55	KGV55	KGA55165.3



KG5555



KG5585



KG55105

Articulated internal angle	Extension for internal angle	Flat angle	T-Joint	End piece
				
-	-	-	-	KGE5555.3
KGI5585.3	KGIE5585.3	KGW5585.3	KGT5585.3	KGE5585.3
KGI55105.3	KGIE55105.3	KGW55105.3	KGT55105.3	KGE55105.3
KGI55135.3	KGIE55135.3	KGW55135.3	KGT55135.3	KGE55135.3
KGI55165.3	KGIE55165.3	KGW55165.3	KGT55165.3	KGE55165.3



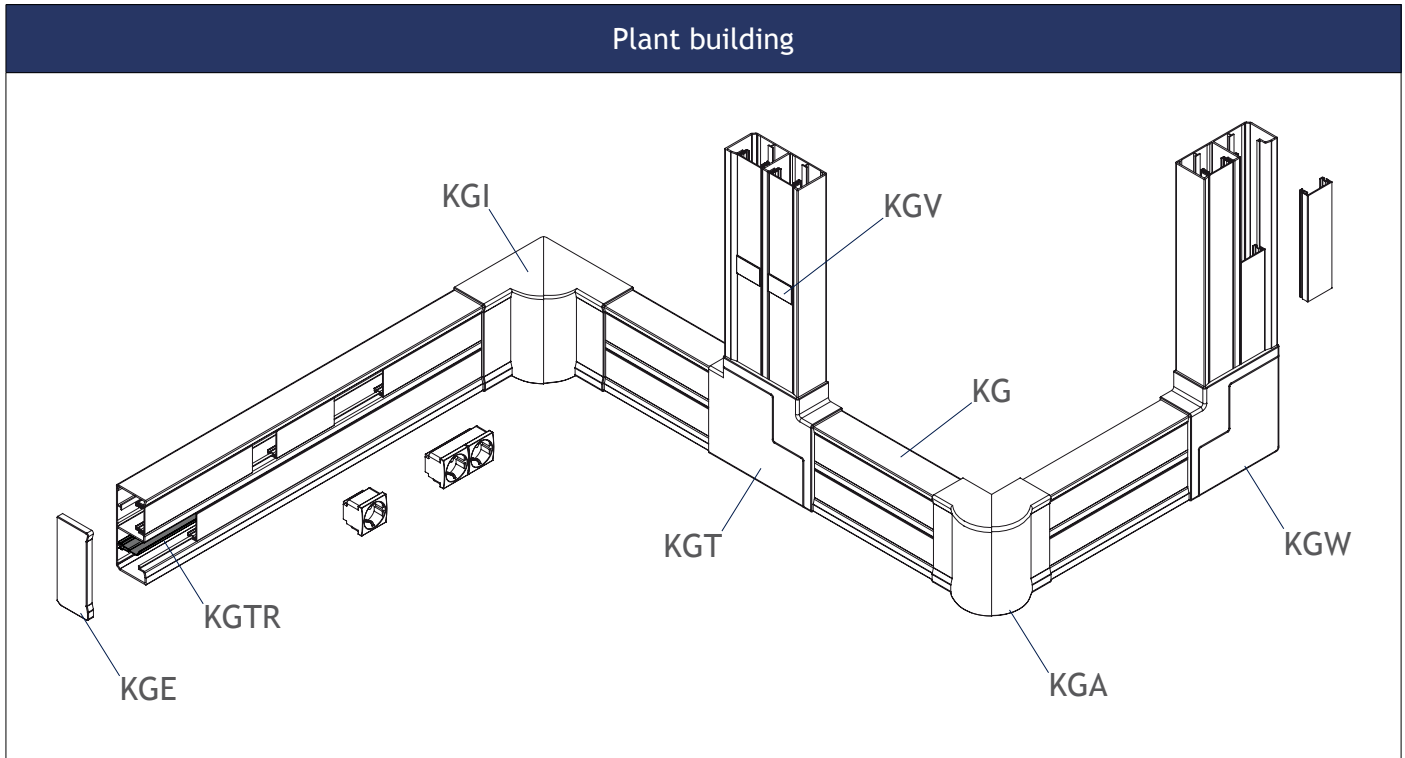
KG55135-2



KG55165-2

KAPPA 45

Plant building



KAPPA45 is the best solution for electrical installations in professional places and the ones of the services sector.

The advantages of the system



- The unique and innovative design.
- The profiles are suitable for all the devices with size 45 mm for direct blocking.
- The trunking KG55165-3.3 has pre-cut dividing walls, it allows the passage between the different compartments.
- In the trunkings KG55105.3 e KG55135-2.3 the minimal distance of 5 mm between the earth and the axe of the sockets is granted without accessories, it allows the use like skirting trunking.
- The double shutting of the covers grants good resistance to possible openings.
- Profiles are supplied with protection film.
- The internal and external angle are variable.

Trunking data table

Article	Sections divisibility trunking KAPPA 45	External dimensions	Cross section mm ²					Total section
			1	2	3	4	S	
KG5555	2	55 x 55 mm	1085	1073	-	-	2158	2404
KG5585	2	85 x 57 mm	1849	1837	-	-	3686	3917
KG55105	2	105 x 59 mm	1904	2698	-	-	4602	4833
KG55135	4	135 x 57 mm	1920	945	1536	1336	5737	6199
KG55165	3	165 x 56 mm	2634	2100	2634	-	7368	7368